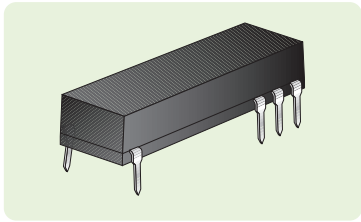


MAGNETIX type MDY

3W, Regulated Output, Wide Input



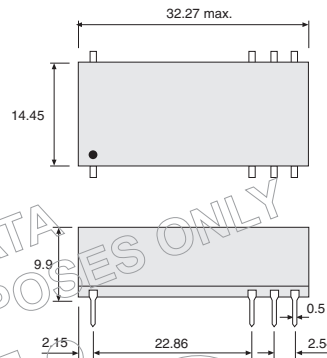
- ◆ 24 pin DIL package
- ◆ 2:1 wide input
- ◆ 1kV isolation
- ◆ Regulated output
- ◆ UL94V-0
- ◆ Short circuit protection
- ◆ No external components
- ◆ Competitively priced

Specification

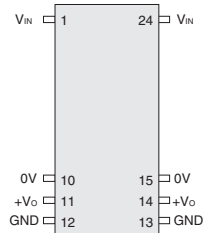
Input voltage range	
5V	4.5-9V
12V	9-18V
24V	18-36V
Line regulation	0.5%
Load regulation	0.5%
Switching frequency	200kHz max. (100% load)
	550kHz max. (25% load)
Operating temperature range	
	-40°C to +85°C

Nominal Input (V)	Output (V)	Output Current (mA)	Manf. Part No. & Anglia Order Code
5	5	600	MDY0505
5	12	250	MDY0512
5	15	200	MDY0515
12	5	600	MDY1205
12	12	250	MDY1212
12	15	200	MDY1215
24	5	600	MDY2405
24	12	250	MDY2412
24	15	200	MDY2415

Dimensions (mm)

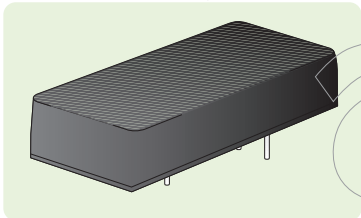


Pins Connections (Top View)



MAGNETIX type MDC05

5W, Regulated Single/Dual Outputs, Wide Input

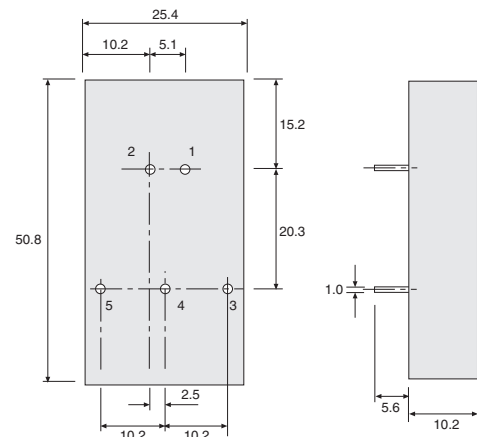


- ◆ Industry standard pin-out
- ◆ Single or dual outputs
- ◆ PI input filter
- ◆ 1.5kV isolation
- ◆ Regulated output
- ◆ Wide input (2:1)
- ◆ Short circuit protected
- ◆ Six side shielded

Specification

Input voltage range	
5V	4.5-9V
12V	9-18V
Line regulation	±0.5%
Load regulation	
Single	±0.5%
Dual	±1%
Output accuracy	±2%
Switching frequency	300kHz (typ.)
Operating temperature range	
	-25°C to +85°C

Dimensions (mm)



Single Output

Nominal Input (V)	Output (V)	Output Current (mA)	Manf. Part No. & Anglia Order Code
5	5	1000	MDC05-0505
5	12	470	MDC05-0512
5	15	400	MDC05-0515
12	5	1000	MDC05-1205
12	12	470	MDC05-1212
12	15	400	MDC05-1215

Dual Output

Nominal Input (V)	Output (V)	Output Current (mA)	Manf. Part No. & Anglia Order Code
5	5	±500	MDC05-05D05
5	12	±230	MDC05-05D12
5	15	±190	MDC05-05D15
12	5	±500	MDC05-12D05
12	12	±230	MDC05-12D12
12	15	±190	MDC05-12D15

Pin View

Pin	Function	
	Single	Dual
1	V _{IN}	V _{IN}
2	GND	GND
3	+V _O	+V _O
4	NO PIN	COMMON
5	0V	-V _O