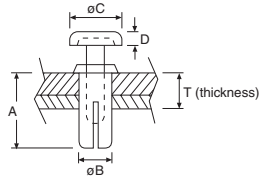
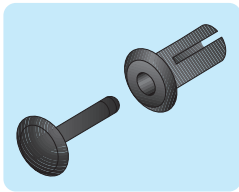


**SNAP RIVETS**

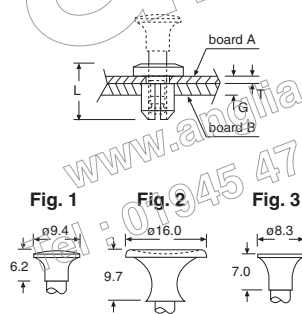
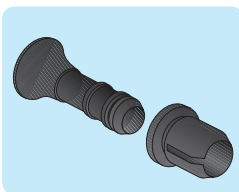
A large range of snap rivets in a choice of black or white Nylon 6/6 and covering a range of total board thicknesses from 1mm to 8.5mm.



| Dimensions (mm) |      |     |     |     | Black          |                   | White          |                   |
|-----------------|------|-----|-----|-----|----------------|-------------------|----------------|-------------------|
| T               | A    | B   | C   | D   | Manf. Part No. | anglia Order Code | Manf. Part No. | anglia Order Code |
| 1.0 - 2.0       | 3.2  | 2.6 | 5.0 | 1.6 | 13F2632B       | 475801            | 13F2632W       | 475831            |
| 2.0 - 3.0       | 4.2  | 2.6 | 5.0 | 1.6 | 13F2642B       | 475802            | 13F2642W       | 475832            |
| 2.5 - 3.4       | 4.8  | 2.6 | 5.0 | 1.3 | 13F2648B       | 475803            | 13F2648W       | 475833            |
| 3.0 - 4.3       | 5.5  | 2.6 | 5.0 | 1.3 | 13F2655B       | 475804            | 13F2655W       | 475834            |
| 1.0 - 2.0       | 3.6  | 3.0 | 6.3 | 1.6 | 13F3035B       | 475805            | 13F3035W       | 475835            |
| 2.0 - 3.0       | 4.5  | 3.0 | 6.3 | 1.7 | 13F3045B       | 475806            | 13F3045W       | 475836            |
| 3.0 - 4.0       | 5.5  | 3.0 | 6.3 | 1.7 | 13F3055B       | 475807            | 13F3055W       | 475837            |
| 4.0 - 5.0       | 6.5  | 3.0 | 6.3 | 1.7 | 13F3065B       | 475808            | 13F3065W       | 475838            |
| 5.0 - 6.0       | 7.5  | 3.0 | 6.3 | 1.7 | 13F3075B       | 475809            | 13F3075W       | 475839            |
| 5.5 - 6.5       | 8.1  | 3.0 | 6.3 | 1.7 | 13F3080B       | 475810            | 13F3080W       | 475840            |
| 1.2 - 2.1       | 3.5  | 3.5 | 6.2 | 1.6 | 13F3535B       | 475811            | 13F3535W       | 475841            |
| 2.0 - 3.0       | 4.5  | 3.5 | 6.3 | 1.7 | 13F3545B       | 475812            | 13F3545W       | 475842            |
| 2.5 - 3.5       | 5.0  | 3.5 | 6.3 | 1.7 | 13F3550B       | 475813            | 13F3550W       | 475843            |
| 3.0 - 4.0       | 5.5  | 3.5 | 6.3 | 1.7 | 13F3555B       | 475814            | 13F3555W       | 475844            |
| 4.5 - 5.5       | 7.0  | 3.5 | 6.3 | 1.7 | 13F3570B       | 475815            | 13F3570W       | 475845            |
| 2.5 - 3.5       | 5.0  | 4.0 | 7.8 | 1.8 | 13F4050B       | 475816            | 13F4050W       | 475846            |
| 3.5 - 4.5       | 6.0  | 4.0 | 7.8 | 1.8 | 13F4060B       | 475817            | 13F4060W       | 475847            |
| 4.5 - 5.5       | 7.0  | 4.0 | 8.0 | 2.0 | 13F4070B       | 475818            | 13F4070W       | 475848            |
| 5.5 - 6.5       | 8.0  | 4.0 | 8.0 | 2.0 | 13F4080B       | 475819            | 13F4080W       | 475849            |
| 6.5 - 7.5       | 9.0  | 4.0 | 8.0 | 1.8 | 13F4090B       | 475820            | 13F4090W       | 475850            |
| 7.5 - 8.5       | 10.0 | 4.0 | 8.0 | 2.0 | 13F4010B       | 475821            | 13F4010W       | 475851            |

**WITH LATCH**

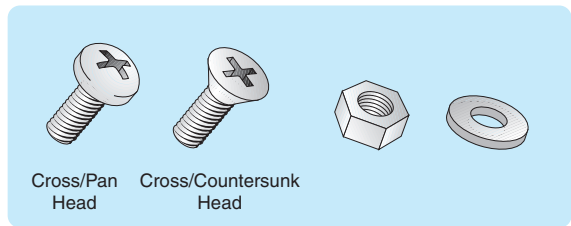
Suitable for fixing boards, up to 4.2mm thickness, to standard 1.6mm pcb's. Available in three types of plunger head arrangement. Made from black Nylon 6/6.



| Dimensions (mm) |           |      | Board Hole Dia. (mm) |           | Fig. No. | Manf. Part No. | anglia Order Code |
|-----------------|-----------|------|----------------------|-----------|----------|----------------|-------------------|
| T               | G         | L    | A                    | B         |          |                |                   |
| 1.6             | 2.0 - 4.2 | 11.2 | 7.4 - 7.6            | 8.0 - 8.2 | 1        | 13FL94B        | 475720            |
| 1.6             | 2.0 - 4.2 | 11.2 | 7.4 - 7.6            | 8.0 - 8.2 | 2        | 13FL16B        | 475721            |
| 1.6             | 2.0 - 4.2 | 10.3 | 5.9 - 6.1            | 6.3 - 6.5 | 3        | 13FL83B        | 475722            |

**NYLON SCREWS, NUTS & WASHERS**

Metric size screws, nuts and plain washers moulded from Nylon 6/6, flame retardant to UL94V-2. Offer good electrical insulation and corrosion resistance. Choice of M3 or M4 size. Natural colour.



**CROSS/PAN HEAD SCREWS**

| Thread Size | Thread Length (mm) | Manf. Part No. | anglia Order Code |
|-------------|--------------------|----------------|-------------------|
| M3          | 6                  | 28M3P6         | 474250            |
| M3          | 8                  | 28M3P8         | 474251            |
| M3          | 10                 | 28M3P10        | 474252            |
| M3          | 12                 | 28M3P12        | 474253            |
| M3          | 15                 | 28M3P15        | 474254            |
| M3          | 18                 | 28M3P18        | 474255            |
| M3          | 20                 | 28M3P20        | 474256            |
| M3          | 25                 | 28M3P25        | 474257            |
| M4          | 8                  | 28M4P8         | 474260            |
| M4          | 10                 | 28M4P10        | 474261            |
| M4          | 12                 | 28M4P12        | 474262            |
| M4          | 14                 | 28M4P14        | 474263            |
| M4          | 16                 | 28M4P16        | 474264            |
| M4          | 20                 | 28M4P20        | 474265            |
| M4          | 25                 | 28M4P25        | 474266            |
| M4          | 30                 | 28M4P30        | 474267            |
| M4          | 35                 | 28M4P35        | 474268            |

**CROSS/COUNTERSUNK HEAD SCREWS**

| Thread Size | Overall Length (mm) | Manf. Part No. | anglia Order Code |
|-------------|---------------------|----------------|-------------------|
| M3          | 8                   | 28M3K8         | 474280            |
| M3          | 10                  | 28M3K10        | 474281            |
| M3          | 12                  | 28M3K12        | 474282            |
| M3          | 14                  | 28M3K14        | 474283            |
| M4          | 8                   | 28M4K8         | 474284            |
| M4          | 10                  | 28M4K10        | 474285            |
| M4          | 12                  | 28M4K12        | 474286            |
| M4          | 14                  | 28M4K14        | 474287            |
| M4          | 16                  | 28M4K16        | 474288            |

**NUTS**

| Thread Size | Thickness (mm) | A/F (mm) | Manf. Part No. | anglia Order Code |
|-------------|----------------|----------|----------------|-------------------|
| M3          | 2.5            | 5.6      | 26M3           | 474100            |
| M4          | 3.3            | 7.0      | 26M4           | 474101            |

**PLAIN WASHERS**

| Thread Size | Thickness (mm) | O/D (mm) | Manf. Part No. | anglia Order Code |
|-------------|----------------|----------|----------------|-------------------|
| M3          | 0.8            | 8.0      | 27M38          | 474130            |
| M4          | 0.8            | 8.0      | 27M48          | 474131            |

**CEL**

For the very latest information and news on the full range of CEL products available from Anglia, visit our website : [www.anglia.com/cel](http://www.anglia.com/cel)

Alternatively, contact our Sales Desk to discuss your specific requirements.