

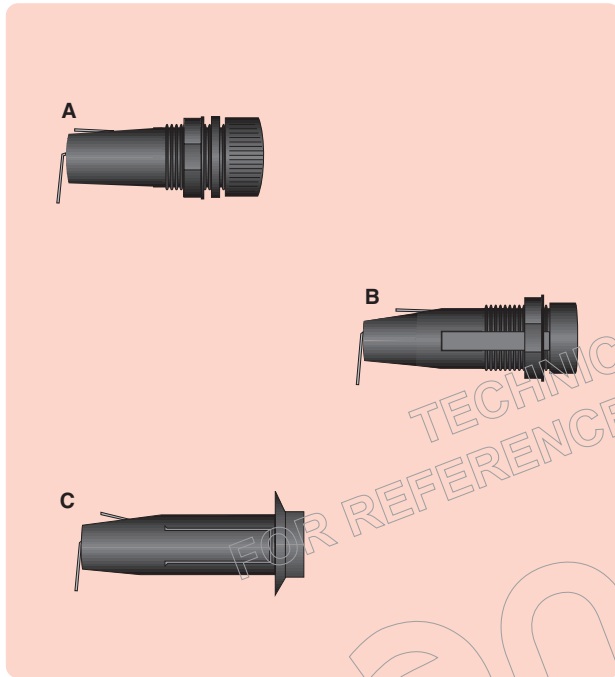
20mm

Panel mounting

Two styles offering a choice of cap.

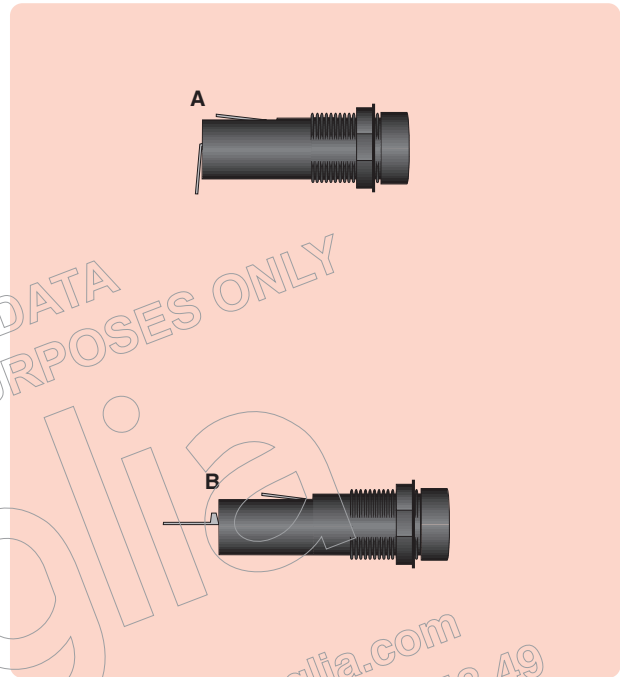
Screw Cap

Black UL94V-0 flame retardant bodies with finger or screwdriver release caps. To IEC 257 with screwdriver release holders also having Semko approval. Type B has additional CSA approval and UL recognition. Rated 6.3A, 250V.



Bayonet Cap

Black UL94V-0 flame retardant bodies with screwdriver release caps. To IEC 257 with Semko, CSA approvals and UL recognition. Rated 250V with choice of current rating.



Type	Panel Fixing Method	Hole Dia. (mm)	Overall Length (mm)	Manf. Part No.	anglia Order Code	Type	Panel Fixing Method	Hole Dia. (mm)	Overall Length (mm)	Manf. Part No.	anglia Order Code
6.3A RATING						6.3A RATING					
A. Finger release	Nut	13.0+keyway	34.2	HTC30M	646004	A. Screwdriver release	Nut	12.7 D shape	36.5	HTC55M	646016
B. Screwdriver release	Nut	12.7 D shape	37.5	HTC35M	646010	B. Screwdriver release	Nut	12.7 D shape	46.2	HTC70M	646017
C. Screwdriver release	Snap-in	12.7 D shape	37.5	HTC40M	646015						
10A RATING						10A RATING					

FUSED TERMINAL BLOCKS

see Connector section