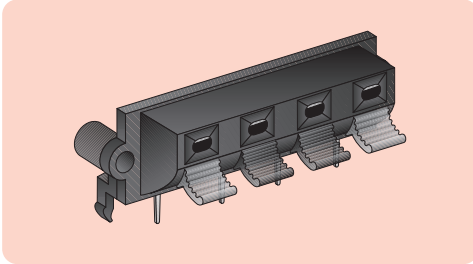


QUICK CONNECT

A range of commercial grade connectors primarily designed for terminating speakers but are also widely used as low cost, quick connect terminals in many other applications. Spring-loaded levers are colour coded red and black. Choice of mounting method. Rated 1.5A, 100Vdc. Flame retardant to UL94HB.

PCB MOUNTING

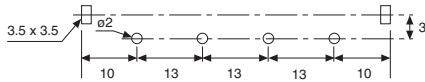
Right angle pcb termination with integral snap-fit support posts. 4 way only.



Dimensions (mm)

W	Overall H (above pcb)	FC
65	18	58

Footprint



Type

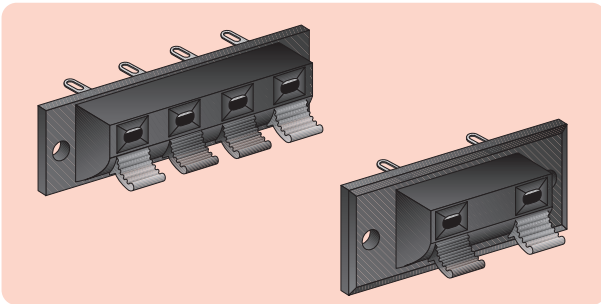
4 way

anglia
Order Code

624024

CHASSIS MOUNTING

Rear termination via 2.8mm solder tags. Option of 2 or 4 way.



Dimensions (mm)

	W	Overall H	FC
2 way	55	21	45
4 way	65	18	58

Type

2 way
4 way

anglia
Order Code

624032
624034

FUSED

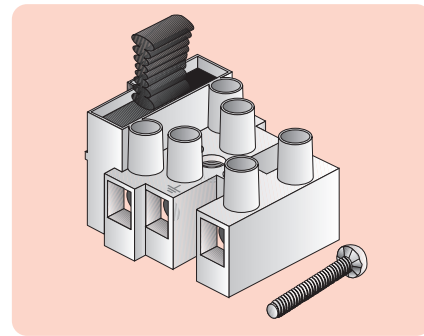
TAICOM type TBF5

TAICOM

A 3 way, screw terminal block with an integral in-line fuseholder that will accommodate a single 20mm x 5mm fuse. Tested and certified to the more preferred UL standards. A handle on the fuseholder makes fuse replacement more convenient (for suitable fuses see Fuses section). Chassis mounted, via an industry standard footprint, with an M3 threaded hole provided in the earth terminal and a spigot preventing body rotation. Supplied complete with a special earth screw that incorporates an ingenious serrated surface under its head. This screw design eliminates the need for an additional star washer yet ensures reliable retention and grounding.

NEW

- ◆ 3 way Fused Block
- ◆ Integral 20mm in-line fuseholder
- ◆ 8A rating
- ◆ Industry standard mounting
- ◆ Earthing screw provided
- ◆ Anti-rotational spigot
- ◆ White body, black fuseholder
- ◆ Flame retardant



UL

Type

3 way

Manf. Part No. & anglia
Order Code

TBF503BGE2

Specification

Body	UL94V-0 PA6.6
Current rating	8A
Voltage rating (block)	400Vac
(fuseholder)	250Vac
Max. wire size	2.5mm ²
Oper. temp. range	-33°C to +100°C

Dimensions (mm)

Length	30
Height (block)	20.2
(inc. handle)	31.6
Depth	27.7
FC	10
Earth hole	M3
Fuse size	20 x 5