

SINGLE PLANE

5mm PITCH

NEW



TAICOM type TBHP & TBVP

A range of modular interlocking terminal blocks with paralld direction of wire and screwdriver. Available with vertical or horizontal entry to the PCB. Choice of 2 to 12 way but may be broken down or made up to any number of ways.

Specification

Materials

Mouldings Green glass filled polyamide to UL94V-0
 Terminals Brass, tin plated
 Screws Steel, zinc plated
 Rising clamps Steel, galvanised and chromatised

Ratings

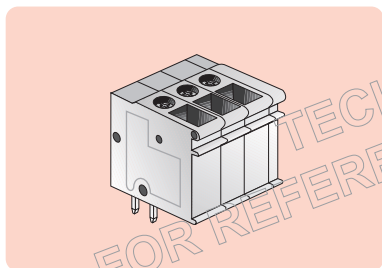
Current rating 15A
 Voltage rating 250Vac
 Insulation resistance 5000MΩ/1000V
 Withstanding voltage 1500Vac/60sec
 Operating temperature -33°C to +120°C

Mechanical

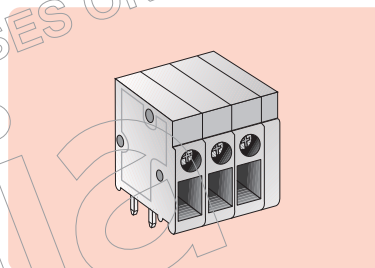
Torque 4kgf.cm/M2.5
 Wire size 14 to 26awg,
 2.5mm² max. (solid)
 1.5mm² max. (stranded)

- ◆ 5mm pitch, 15A rating
- ◆ **Rising clamp** wire protection
- ◆ Any number of ways
- ◆ Vertical & horizontal entry
- ◆ **Combi screws** suit pneumatic tools
- ◆ Green **UL94V-0** flame retardant bodies

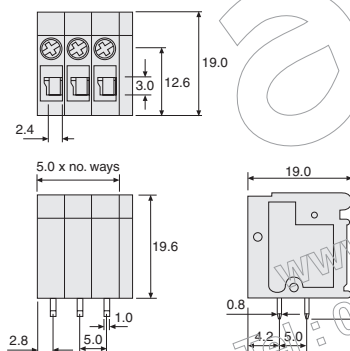
Vertical Entry



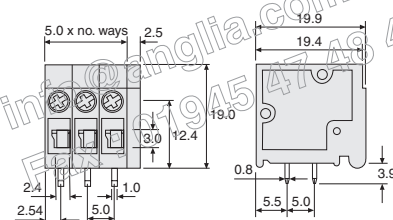
Horizontal Entry



Dimensions (mm)



Dimensions (mm)



| Type | Manf. Part No. & anglia Order Code |
|--------|------------------------------------|
| 2 way | TBHP02AG |
| 3 way | TBHP03AG |
| 4 way | TBHP04AG |
| 5 way | TBHP05AG |
| 6 way | TBHP06AG |
| 7 way | TBHP07AG |
| 8 way | TBHP08AG |
| 9 way | TBHP09AG |
| 10 way | TBHP10AG |
| 11 way | TBHP11AG |
| 12 way | TBHP12AG |

| Type | Manf. Part No. & anglia Order Code |
|--------|------------------------------------|
| 2 way | TBVP02AG |
| 3 way | TBVP03AG |
| 4 way | TBVP04AG |
| 5 way | TBVP05AG |
| 6 way | TBVP06AG |
| 7 way | TBVP07AG |
| 8 way | TBVP08AG |
| 9 way | TBVP09AG |
| 10 way | TBVP10AG |
| 11 way | TBVP11AG |
| 12 way | TBVP12AG |