

PLUGGABLE - block & pin strip

A range of 5mm and 10mm pitch terminal blocks which plug onto pcb mounting pin header strips. May be mounted vertically or horizontally. Combines the convenience of screw connection with the ease of a plug and socket. Other ways are available to special order.

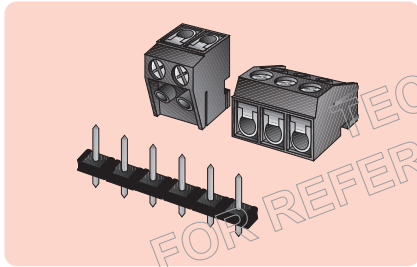
5mm PITCH

TAICOM type TBP/AG



5mm pitch blocks fitted with wire protection guards. Choice of 2 to 12 way which may be interlocked together to increase their permutation. The pin strip is supplied in 24 way and may be broken down to the required amount of ways.

- ◆ 5mm pitch, 10A rating
- ◆ Horizontal & vertical mounting
- ◆ **Interlocking (double dovetail)**
- ◆ Wire protection
- ◆ **Combi screws** suit pneumatic tools
- ◆ Black **UL94V-0** flame retardant bodies



Type
BLOCKS
2 way
3 way
4 way
5 way
6 way
7 way
8 way
9 way
10 way
11 way
12 way
PIN STRIP
24 way

Manf. Part No. & anglia Order Code

TBP02AG
TBP03AG
TBP04AG
TBP05AG
TBP06AG
TBP07AG
TBP08AG
TBP09AG
TBP10AG
TBP11AG
TBP12AG

TBP24AS

Specification

Materials

Mouldings Black glass filled polyamide to UL94V-0
Terminals Brass, tin plated
Screws M2.6, galvanised steel chromate finish
Wire guards Beryllium copper

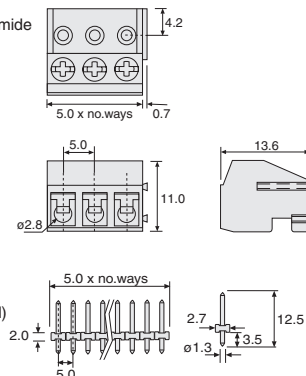
Ratings (limited by pcb)

Current rating 10A
Voltage rating 250Vac
Oper. temp. range -33°C to +120°C

Wire Size

Range 14 to 22awg
Metric capacity 2.5mm² max. (solid)
1.5mm² max. (stranded)

Dimensions (mm)



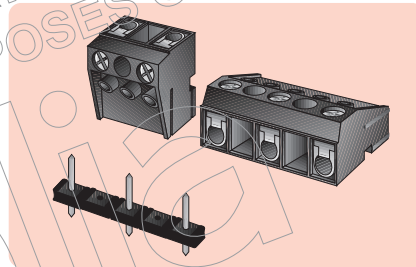
10mm PITCH

TAICOM type TBP/BG



10mm pitch blocks fitted with wire protection guards. Wider spacing, using alternate positions in the mouldings, offers improved isolation. Choice of 2 to 12 way. The pin strip is supplied in 12 way and may be broken down to the required amount of ways.

- ◆ 10mm pitch, 10A rating
- ◆ Horizontal & vertical mounting
- ◆ **Wide pin spacing**, alternative positions
- ◆ Wire protection
- ◆ **Combi screws** suit pneumatic tools
- ◆ Black **UL94V-0** retardant bodies



Type
BLOCKS
2 way
3 way
4 way
5 way
6 way
7 way
8 way
9 way
10 way
11 way
12 way
PIN STRIP
12 way

Manf. Part No. & anglia Order Code

TBP02BG
TBP03BG
TBP04BG
TBP05BG
TBP06BG
TBP07BG
TBP08BG
TBP09BG
TBP10BG
TBP11BG
TBP12BG

TBP12BS

Specification

Materials

Mouldings Black glass filled polyamide to UL94V-0
Terminals Brass, tin plated
Screws M2.6, galvanised steel chromate finish
Wire guards Beryllium copper

Ratings (limited by pcb)

Current rating 10A
Voltage rating 380Vac
Oper. temp. range -33°C to +120°C

Wire Size

Range 14 to 22awg
Metric capacity 2.5mm² max. (solid)
1.5mm² max. (stranded)

Dimensions (mm)

