

PROFESSIONAL

CABLE PLUGS AND SOCKETS

STUDIOMATE type A25

High quality cable (line) plugs and sockets having silver plated contacts (3 pole) and precision metal shells with plastic back caps. Both plugs and sockets feature generous solder bucket terminations, colour coding options (connectors are fitted with black rings as standard), finger grips and a positive self adjustable cable retention system which prevents damage to the cable and insulation. Latching is achieved with a sturdy lever type mechanism incorporated into the sockets.

ELECTRICAL SPECIFICATION

Current rating	
3 pole	15A
4 pole	10A
5 pole	7A
Working voltage	
.....	500Vdc
.....	1500Vac
Initial contact resistance	≤3mΩ
Insulation resistance	≥1000MΩ

(Note: NOT SUITABLE FOR MAINS APPLICATIONS)

MATERIALS

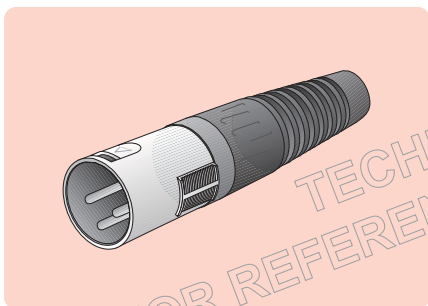
Housing	
metal types	High pressure die-cast zinc
insulated types	Glass filled Nylon
Pin base mouldings	PBT (UL94V-1)
Contacts	
3 pole	Silver
4, 5 pole	Bronze, nickel plated
Strain relief	PVC
Operating temperature range	-30°C to +80°C

ENDURANCE

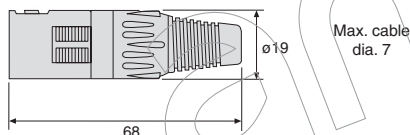
Life test	10,000 mating cycles
	tested to MIL-STD-1344A method 2016

PLUGS

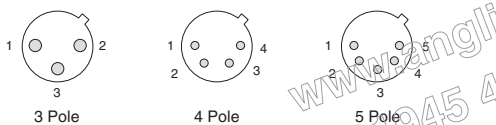
Cable mounting free plugs suitable for mating and interlocking with the adjacent cable sockets (for in-line termination), or the panel sockets shown on the opposite page. The 3 pole will also mate with the combined sockets shown on page 250. Fitted with a black coding ring.



Dimensions (mm)



Plug Contact Configurations (face view)



Type

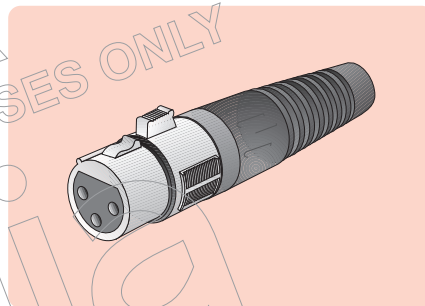
3 Pole
4 Pole
5 Pole

Manf. Part No. & anglia Order Code

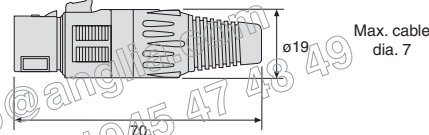
A25M103
A25M104
A25M105

SOCKETS

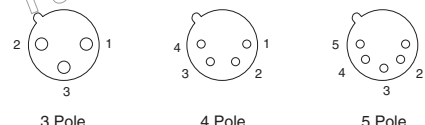
Cable mounting free sockets suitable for mating and interlocking with the adjacent cable plugs (for in-line termination), or the panel plugs shown on the opposite page. Fitted with a latching mechanism and a black coding ring.



Dimensions (mm)



Socket Contact Configurations (face view)



Type

3 Pole
4 Pole
5 Pole

Manf. Part No. & anglia Order Code

A25F103
A25F104
A25F105

OTHER BODY TYPES AND COLOUR CODING OPTIONS available to special order

COLOUR CODING RINGS

Optional colour rings for use with the above cable plugs and sockets.

Colour Code

Red
Yellow
Green

Manf. Part No. & anglia Order Code

A25BR
A25BY
A25BG

PROFESSIONAL

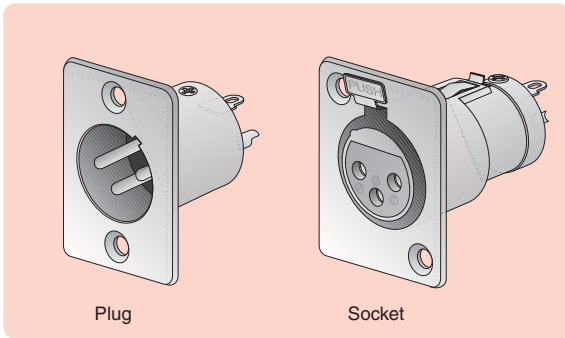
PANEL PLUGS AND SOCKETS

STUDIOMATE type A25/26

Choice of metal (screened) or insulated panel mounting plugs and sockets that will mate and interlock (where appropriate) with the cable connectors shown on the opposite page

METAL (Screened)

Die-cast zinc bodies with a satin nickel finish. Solder bucket terminations with a solder tag for earth connection. Both the plugs and sockets are offered in 3, 4 and 5 pole with the 3 pole having silver plated contacts. A push to release latching mechanism is incorporated into the sockets.

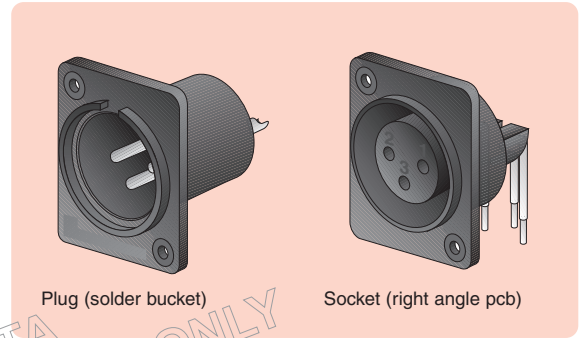


Plug

Socket

INSULATED

A 3 pole range of lightweight panel plugs and sockets moulded in black glass filled nylon. Ideal for applications where screening is not required. Offered in either solder bucket termination or right angle pcb pins. Both the plugs and sockets may be front or rear panel mounted. All versions have silver plated contacts.

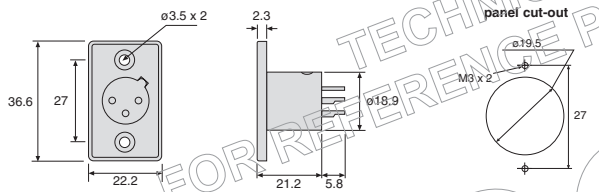


Plug (solder bucket)

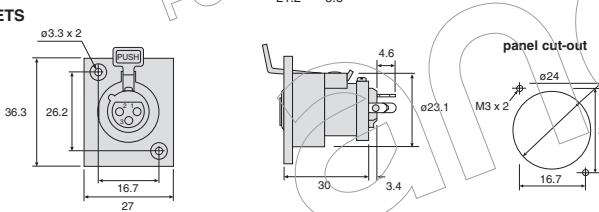
Socket (right angle pcb)

Dimensions (mm)

PLUGS



SOCKETS



PLUGS

Type

- 3 Pole
- 4 Pole
- 5 Pole

Manf. Part No. & Anglia Order Code

- A25M3N3**
- A25M3N4**
- A25M3N5**

SOCKETS

Type

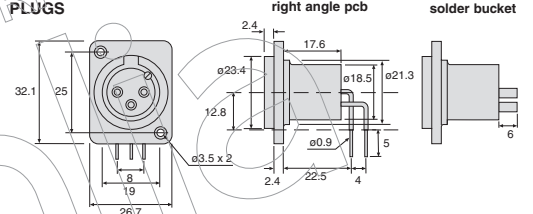
- 3 Pole
- 4 Pole
- 5 Pole

Manf. Part No. & Anglia Order Code

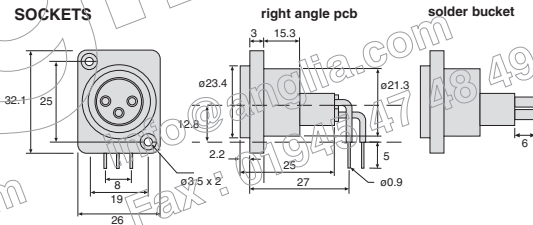
- A25F3N3**
- A25F3N4**
- A25F3N5**

Dimensions (mm)

PLUGS



SOCKETS



PLUGS (3 pole)

Type

- Solder Bucket
- Right Angle pcb

Manf. Part No. & Anglia Order Code

- A26M3N3**
- A26M7N3**

SOCKETS (3 pole) – non-latching

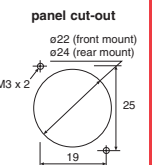
Type

- Solder Bucket
- Right Angle pcb

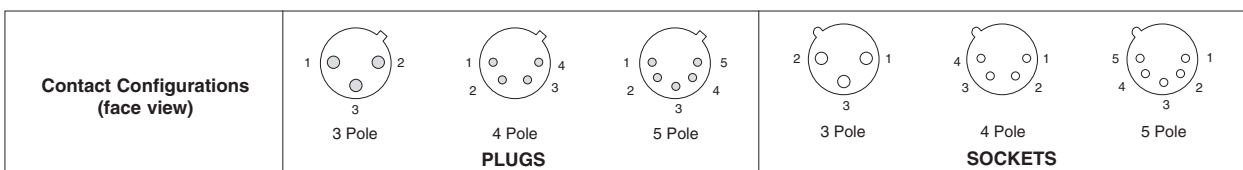
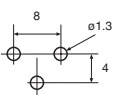
Manf. Part No. & Anglia Order Code

- A26F3N3**
- A26F7N3**

Plugs & Sockets



Footprint



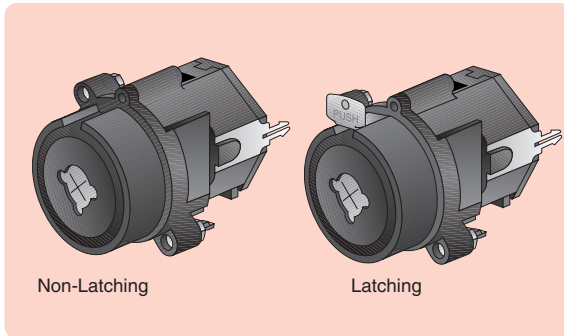
OTHER BODY TYPES, CONTACT ARRANGEMENTS AND TERMINATION METHODS available to special order

PROFESSIONAL

COMBINED XLR / 6.35mm JACK SOCKETS

STUDIOMATE type A27/28

A range of combined 3 pole XLR/6.35mm panel mounting jack sockets, ideal for use in mixing desks and other professional audio equipment where either installation space and manufacturing costs are at a premium, or where there is a need to prevent two inputs being used at the same time. Offered in mono and stereo versions, each available with or without latch. Moulded in black nylon 6.6, rear terminations are straight pcb pins and panel fixing provided by integral M3 nuts.



- ◆ Dual XLR / 6.35mm jack capability
- ◆ Ensures single input integrity
- ◆ Integral dust seal
- ◆ Choice of mono or stereo
- ◆ Option of latching or non-latching
- ◆ Gold plated contacts

ELECTRICAL SPECIFICATION

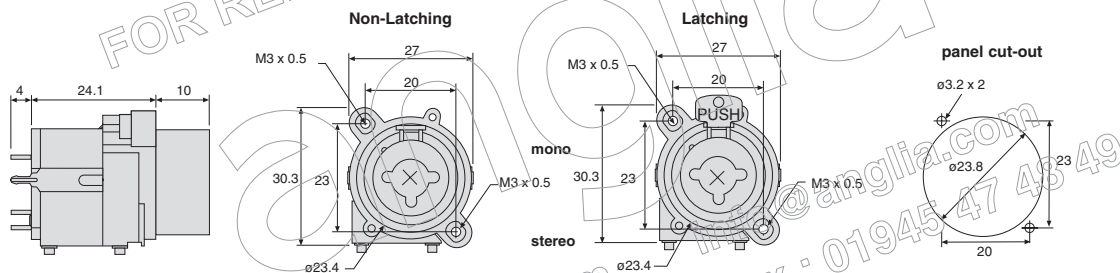
Current rating 7.5A (XLR)
 Working voltage 250Vdc
 Proof voltage 1500Vdc
 Initial contact resistance $\leq 3m\Omega$ (XLR and Jack)
 Capacitance XLR $\leq 3pF$, JACK $\leq 5pF$

MATERIALS

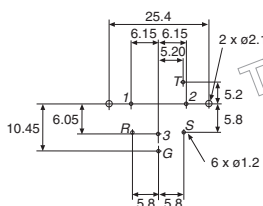
Housing PA 6.6
 Brackets Nickel plated copper alloy
 Contacts Gold plated copper alloy
 Operating temperature range -20°C to +65°C

(Note: NOT SUITABLE FOR MAINS APPLICATIONS)

Dimensions (mm)



Footprint (pin view)



Pin Connections
 S, R, & T = JACK
 1, 2, 3 & G = XLR
 (G = ground)

schematics (jack)



Type

MONO
 Non-Latching
 Latching

STEREO
 Non-Latching
 Latching

Manf. Part No. & Anglia Order Code

A28F403
A27F403

A28F413
A27F413

OTHER BODY TYPES, CONTACT ARRANGEMENTS AND TERMINATION METHODS available to special order

PROFESSIONAL

STUDIOMATE type A45

A robust high quality range of multipole circular plugs and sockets ideal for use as microphone connectors in communication equipment, but also suited to many other applications. These connectors feature polarised bodies for correct mating, screw locking rings, die cast nickel plated zinc housings and nickel plated bronze contacts. Additionally the cable plugs and sockets have integral cable clamps. All types are available in 2 to 8 pole configurations.

ELECTRICAL SPECIFICATION

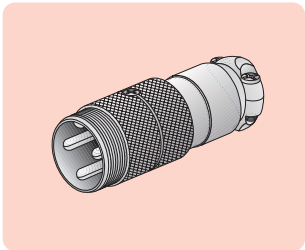
Current rating	
2, 3, 4 Pole	10A
5, 6 Pole	7.5A
7, 8 Pole	5A
Working voltage	50Vac
Proof voltage	1000Vac
Initial contact resistance	≤50mΩ
Insulation resistance	≥1000MΩ

MATERIALS

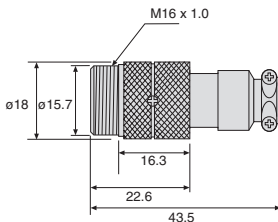
Housing	Zinc, nickel plated
Contacts	Bronze, nickel plated
Insulator	Phenolic resin
Operating temperature range	-50°C to +85°C

CABLE PLUGS

Cable mounting free plugs which will mate with the adjacent cable sockets for in-line termination.



Dimensions (mm)



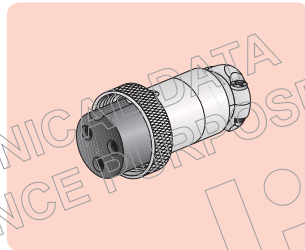
Type

- 2 Pole
- 3 Pole
- 4 Pole
- 5 Pole
- 6 Pole
- 7 Pole
- 8 Pole

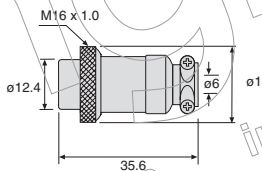
Manf. Part No. & Anglia Order Code
A45M1N2
A45M1N3
A45M1N4
A45M1N5
A45M1N6
A45M1N7
A45M1N8

CABLE SOCKETS

Cable mounting free sockets which will mate with the adjacent cable plugs for in-line termination, or the panel plugs.



Dimensions (mm)



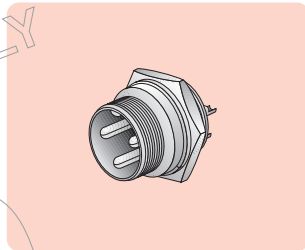
Type

- 2 Pole
- 3 Pole
- 4 Pole
- 5 Pole
- 6 Pole
- 7 Pole
- 8 Pole

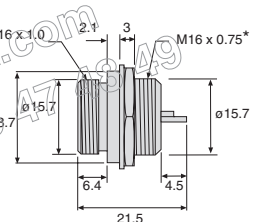
Manf. Part No. & Anglia Order Code
A45F1N2
A45F1N3
A45F1N4
A45F1N5
A45F1N6
A45F1N7
A45F1N8

PANEL PLUGS

Panel mounting plugs which will mate with the adjacent cable sockets.



Dimensions (mm)



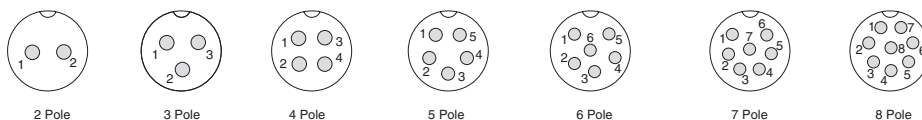
*Panel cut-out ø16mm

Type

- 2 Pole
- 3 Pole
- 4 Pole
- 5 Pole
- 6 Pole
- 7 Pole
- 8 Pole

Manf. Part No. & Anglia Order Code
A45M3N2
A45M3N3
A45M3N4
A45M3N5
A45M3N6
A45M3N7
A45M3N8

Contact Configurations (Plugs) – face view



PROFESSIONAL

STUDIOMATE type A50/51

A popular series of 4mm connectors covering plugs, sockets and terminal posts. The bunched pin on the plugs ensures that a consistent and reliable contact is achieved with the appropriate socket interface. Moulded bodies are available in a choice of colours.

ELECTRICAL SPECIFICATION

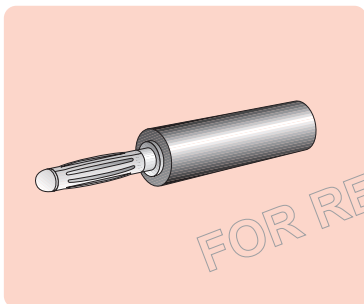
Current rating.....	10A
	16A (Cable Plugs)
Working voltage.....	50V
Withstand voltage.....	500Vac for 1 minute
	1000Vac for 1 minute (Terminal Posts)
Insulation resistance.....	≥100MΩ at 500Vdc

MATERIALS

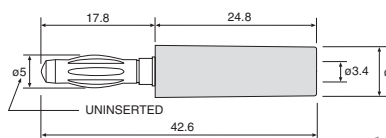
Panel Sockets	
Housing.....	Polycarbonate
Contact.....	Brass, nickel plated
Nut.....	Brass, nickel plated
Washer.....	Steel, chrome plated
Cable Plugs	
Housing.....	Polypropylene
Spring contact.....	Phosphor bronze, nickel plated
Pin.....	Brass, nickel plated
Terminal Posts	
Housing/knob.....	Nylon (UL94-V2)
Shaft/plate/nuts/washers.....	Brass, nickel plated

CABLE PLUGS

Bunch pin plugs with a moulded body and solder connection.



Dimensions (mm)



Colour

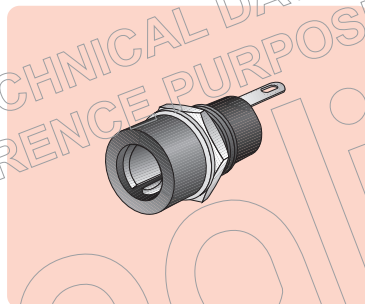
Black
Red

Manf. Part No. & Anglia Order Code

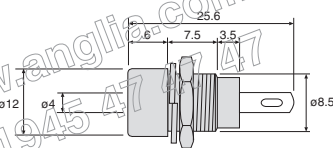
A50M100
A50M120

PANEL SOCKETS

Single hole fixing sockets with solder connection. Plugs fully enter socket contact. Supplied with nut and washer.



Dimensions (mm)



Panel Cut-out



Colour

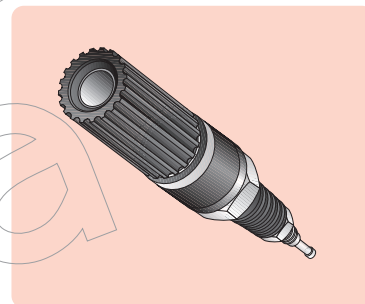
Black
Red

Manf. Part No. & Anglia Order Code

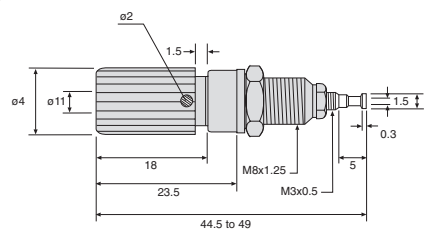
A50F300
A50F320

TERMINAL POSTS

Single hole fixing terminal posts with 4mm top entry socket and 2mm cross hole. Solder connection.



Dimensions (mm)



Panel Cut-out



Colour

Black
Red

Manf. Part No. & Anglia Order Code

A51F300
A51F320