

PROFESSIONAL

A range of jack plugs and sockets manufactured to professional standards and available in 2.5, 3.5 and 6.35mm industry standard sizes. The range features numerous mounting and material options, providing a solution to a wide array of A/V and low power applications.

SPECIFICATION - JACK PLUGS & SOCKETS

PLUGS

ELECTRICAL

Withstand voltage	500Vac for 1 minute
Insulation resistance	100M Ω at 500Vdc
Initial contact resistance	50M Ω at 500Vdc (A10M2)
	\leq 50m Ω

MATERIALS

2.5mm	
Housing	ABS resin (A12M1) Polypropylene (A12M2)
Contacts/terminals	Brass, nickel plated
Insulators	Polyphenylene oxide, polycarbonate (A12M2)
3.5mm (Insulated - without cable strain relief)	
Housing	ABS resin
Contacts/terminals	Brass, nickel plated
Insulators	PVC, phenolic resin, ebonite (A11M10) ABS resin, polycarbonate (A11M11)
3.5mm (Insulated - with cable strain relief)	
Housing/strain relief	Polyethylene
Contacts/terminals	Brass/steel, nickel plated
Insulators	PVC, phenolic resin, ebonite (A11M20) ABS resin (A11M21)
3.5mm (Screened)	
Housing	Brass, nickel plated
Contacts/terminals	Brass/steel, nickel plated
Insulators	PVC, phenolic resin, ebonite (A11L10) ABS resin, polycarbonate, PVC (A11L11)
Strain relief	PVC
6.35mm (Insulated - without cable strain relief)	
Housing	ABS resin
Contacts/terminals	Brass/steel, nickel plated
Pin	Steel, nickel plated
Insulators	ABS resin
6.35mm (Insulated - with cable strain relief)	
Housing	Polypropylene
Contacts/terminals	Brass/steel, nickel plated
Pin	Steel, nickel plated
Insulators	ABS resin, (A10M20) ABS resin, phenolic resin (A10M21)
Strain relief	PVC
6.35mm (Insulated R/A)	
Housing	Polypropylene
Contacts/terminals	Brass/steel, nickel plated
Pin/face	Steel, nickel plated
Rivet	Brass, nickel plated
Insulators	Phenolic resin, ebonite
6.35mm (Screened)	
Housing	Brass, nickel plated
Contacts/terminals	Brass/steel, nickel plated
Pin	Steel, nickel plated
Insulators	ABS resin, PVC, phenolic resin, fibre
Strain relief	PVC

SOCKETS

ELECTRICAL

Withstand voltage	500Vac for 1 minute
	250Vac for 1 minute (A12F)
Insulation resistance	100M Ω at 500Vdc
Initial contact resistance	100M Ω at 250Vdc (A11F52/A12F)
	\leq 50m Ω

MATERIALS

2.5mm	
Housing	Polycarbonate (A12F3) PBT (UL94V-0) (A12F5)
Contacts/Terminals	Brass, silver/nickel plated (A12F3) Brass, nickel/tin plated - copper, tin plated (A12F5)
3.5mm (Line)	
Housing	ABS resin
Contacts/terminals	Brass, nickel plated (A11F10) Brass, gold plated - brass/steel, nickel plated (A11F11) Nylon (A11F10) polyphenylene oxide (A11F11)
3.5mm (Panel/PCB & PCB Mount)	
Housing	Polycarbonate (A11F52) PBT (UL94V-0) (A11F51/54) PBT/polycarbonate (A11F74)
Contacts/terminals	Brass, silver/nickel plated - copper, silver plated (A11F52) Brass, nickel/tin plated - phosphor bronze, tin plated (A11F51/54/74)
6.35mm (Line)	
Housing	ABS resin
Contacts/terminals	Brass/steel, nickel plated
Insulators	ABS resin, polyphenylene oxide
6.35mm (Panel/PCB & PCB Mount)	
Housing	Polycarbonate (A10F3) PBT (A10F5)
Contacts/terminals	Copper, silver/nickel plated - steel, nickel plated (A10F3) Copper, silver plated - bronze, nickel plated (A10F5) Nylon, fibre (A10F3) Nylon (A10F5)
Insulators	
6.35mm (Panel/PCB Mount)	
Body	Nylon
Contacts/terminals	Nickel, silver alloy
Nut	Nylon

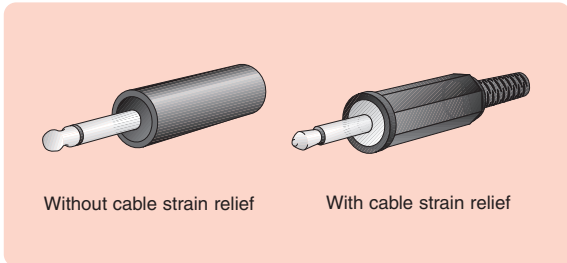
PROFESSIONAL

2.5mm PLUGS AND SOCKETS

STUDIOMATE type A12

PLUGS

Insulated plugs with a black moulded body, solder terminals and integral cable clamp. Choice of with or without cable strain relief. Mono (2 pole) only.

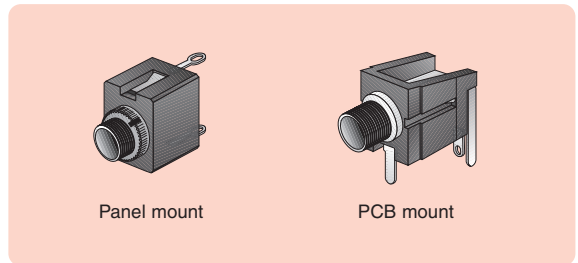


Without cable strain relief

With cable strain relief

SOCKETS

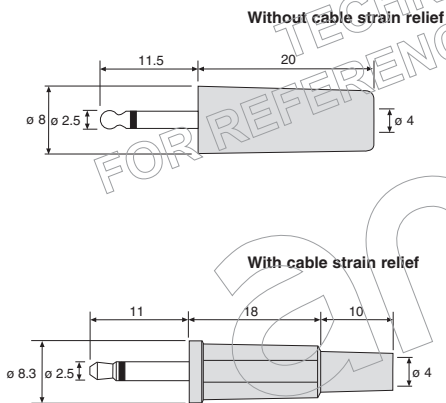
Black moulded bodies with metal bush and slotted fixing nut. Switched contacts, normally closed. Mono (2 pole) only.



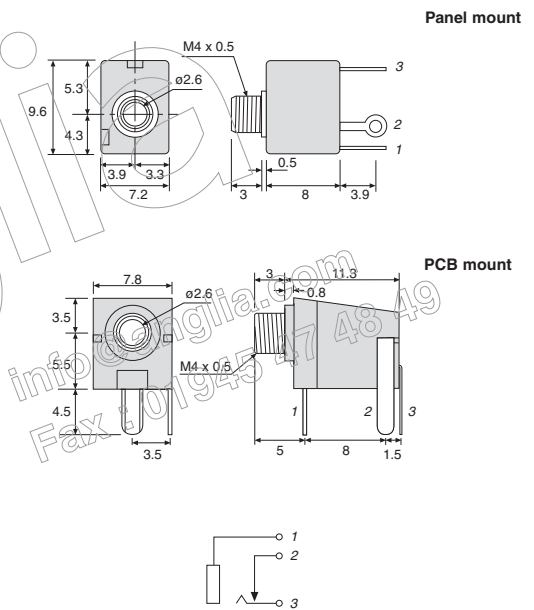
Panel mount

PCB mount

Dimensions (mm)



Dimensions (mm)



Panel mount

PCB mount

schematic

Type

INSULATED - MONO
Without cable strain relief
With cable strain relief

Manf. Part No. & anglia Order Code

A12M100
A12M200

Type

MONO
Panel mount
PCB mount

Manf. Part No. & anglia Order Code

A12F300
A12F500

OTHER VARIANTS available to special order

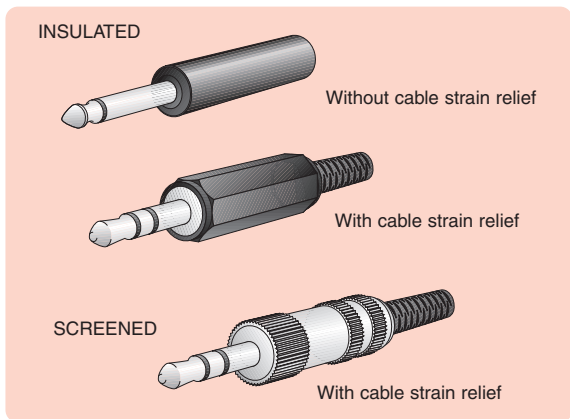
PROFESSIONAL

3.5mm PLUGS AND SOCKETS

STUDIOMATE type A11

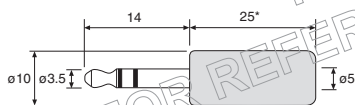
PLUGS

Choice of insulated (black moulded body) or screened (nickel plated brass body), both available in mono (2 pole) or stereo (3 pole). Insulated plug has option of cable strain relief. All types have solder terminals and integral cable clamp.

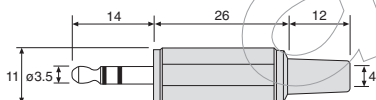


Dimensions (mm)

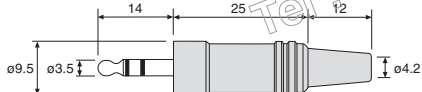
INSULATED – without cable strain relief



INSULATED – with cable strain relief

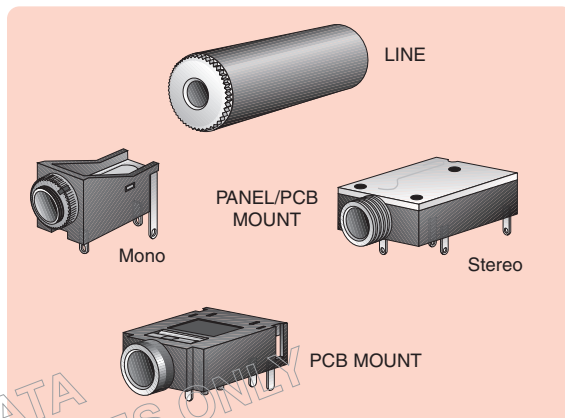


SCREENED – with cable strain relief



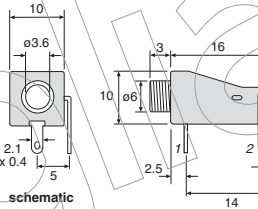
SOCKETS

Choice of line, panel/pcb mount or pcb mount all housed in black moulded bodies with metal bushes. Available in stereo (3 pole) throughout with mono (2 pole) option on selected types. Line sockets have solder terminals and integral cable clamp. PCB mount sockets have choice of unswitched or switched, normally closed contacts.



Dimensions (mm)

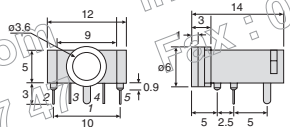
PANEL/PCB MOUNT – Mono



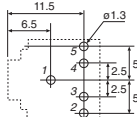
schematic



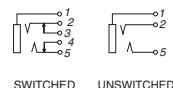
PCB MOUNT



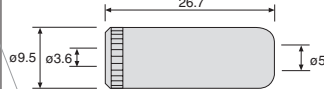
Footprint (pin view)



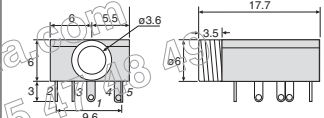
schematics



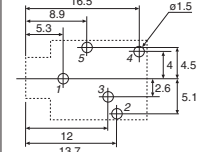
LINE



PANEL/PCB MOUNT – Stereo



Footprint (pin view)



schematic



Type

INSULATED
Without cable strain relief
With cable strain relief

SCREENED

With cable strain relief

Manf. Part No. & Anglia Order Code

MONO	STEREO
A11M100	A11M110
A11M200	A11M210
A11L100	A11L110

Type

LINE
PANEL/PCB MOUNT
Switched
PCB MOUNT
Unswitched
Switched

Manf. Part No. & Anglia Order Code

MONO	STEREO
A11F100	A11F110
A11F520	A11F740
–	A11F510
–	A11F540

OTHER VARIANTS available to special order

For commercial grade versions, see page 253

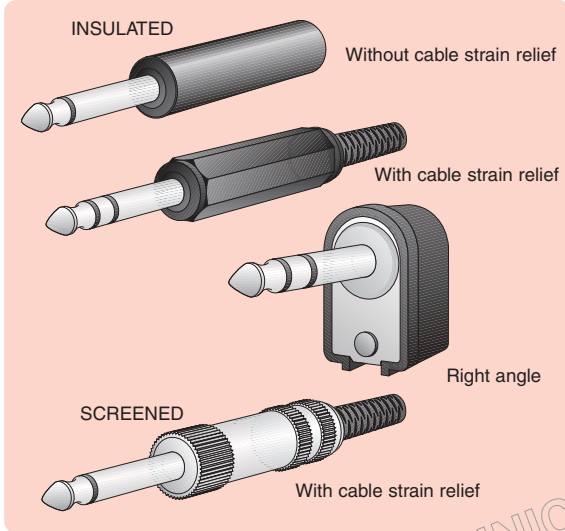
PROFESSIONAL

6.35mm (0.25inch) PLUGS AND SOCKETS

STUDIOMATE type A10

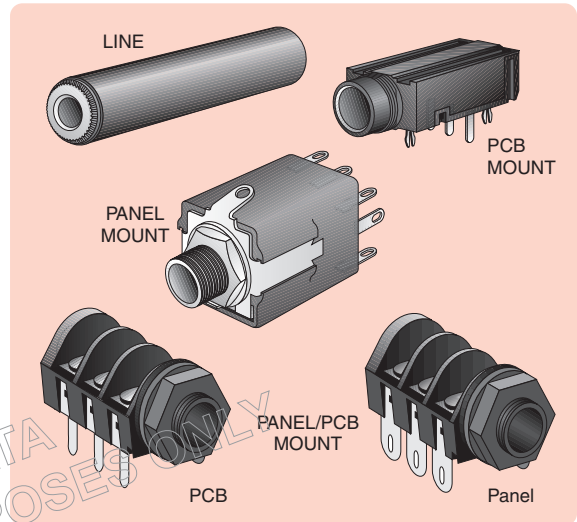
PLUGS

Choice of insulated (black moulded body) or screened (nickel plated brass body), both available in mono (2 pole) or stereo (3 pole). Insulated has option of with or without cable strain relief and a right angle version. All types have solder terminals and integral cable clamp.



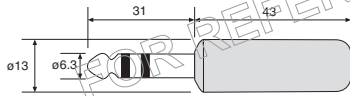
SOCKETS

Choice of line, panel or pcb mount sockets, all housed in black moulded bodies. Metal bushes fitted to panel mount. Available in stereo (3 pole) throughout with mono (2 pole) option on selected types. Line sockets have solder terminals and integral cable clamp. Panel mount types are available unswitched or switched (normally closed).

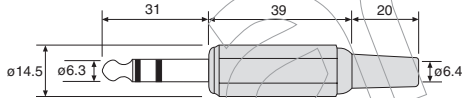


Dimensions (mm)

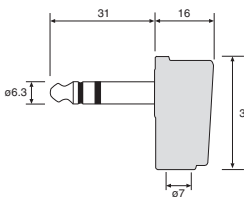
INSULATED – without cable strain relief



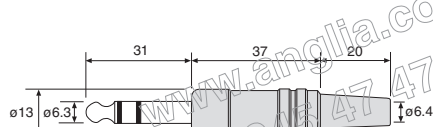
INSULATED – with cable strain relief



INSULATED (R/A)

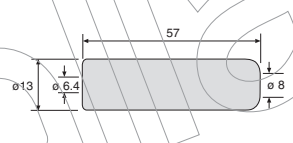


SCREENED – with cable strain relief

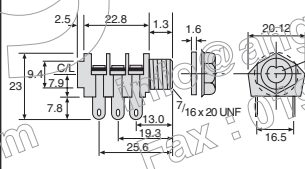


Dimensions (mm)

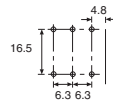
LINE



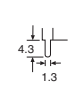
PANEL/PCB MOUNT



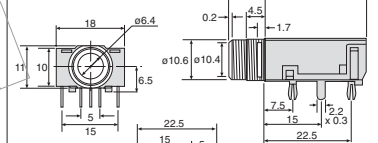
Footprint



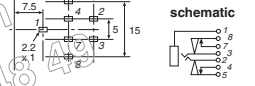
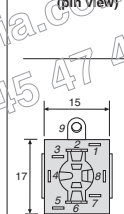
pcb pins



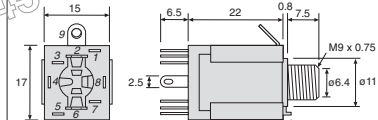
PCB MOUNT



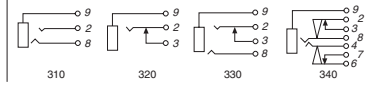
Footprint (pin view)



PANEL MOUNT



schematics



Type

INSULATED

Without cable strain relief
With cable strain relief

INSULATED (R/A)

SCREENED

With cable strain relief

Manf. Part No. & anglia Order Code	
MONO	STEREO
A10M100	A10M110
A10M200	A10M210
A10M101	A10M111
A10L100	A10L110

Type

LINE

PANEL MOUNT
Unswitched
1 pole switched
2 poles switched

PANEL/PCB MOUNT
PCB (switched)
Panel (switched)

PCB MOUNT
Switched

Manf. Part No. & anglia Order Code

MONO	STEREO
A10F100	A10F110
–	A10F310
A10F320	A10F330
–	A10F340
A10F720	A10F740
A10F820	A10F840
–	A10F510

OTHER VARIANTS available to special order