

COAXIAL PLUG

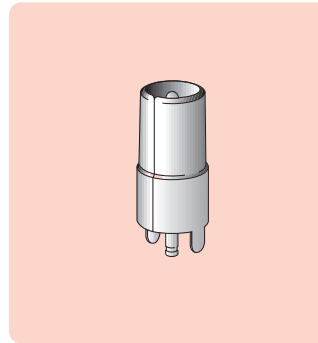
CO-TRON type CE

A vertical pcb mounting TV coaxial plug with a nickel plated body.

Dimensions (mm)

H. (above pcb)	20
Dia. (at base)	11
Terminations :	
centre pin	dia. 2
outer tabs (two)	2 x 0.3 pitch 10

Type	Manf. Part No.	anglia Order Code
PCB Plug	CE7MP9NB	630810

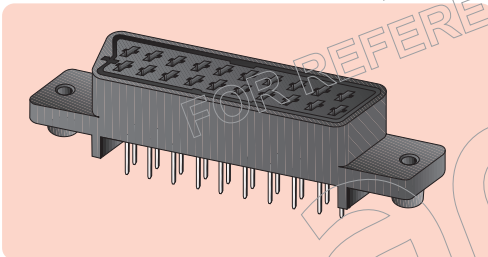


SCART SOCKETS

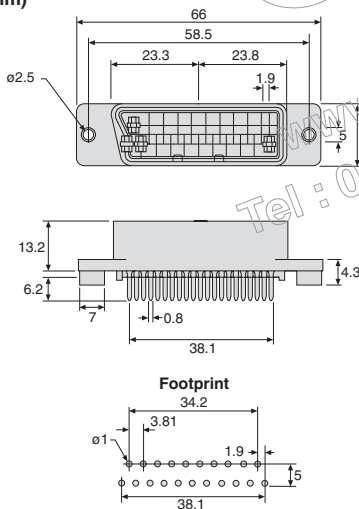
STUDIOMATE type A60F

Choice of vertical or right angle pcb mounting scart sockets moulded in black ABS. Conform to European specification with established footprints and pin configurations. Rated 3A, 100Vac/150Vdc.

VERTICAL

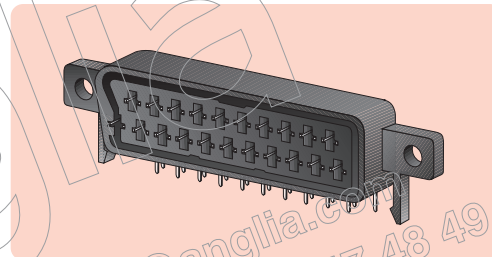


Dimensions (mm)

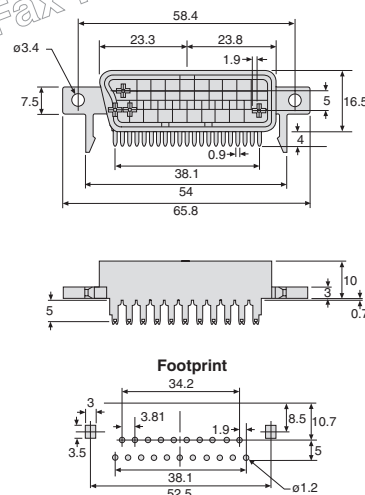


Type	Manf. Part No. & anglia Order Code
Vertical	A60F501

RIGHT ANGLE



Dimensions (mm)



Type	Manf. Part No. & anglia Order Code
Right Angle	A60F601