

1.27mm (0.05in) PITCH

NEW

LUMBERG type MICROMODUL

An insulation displacement wire-to-board interconnection system set on the industry standard 1.27mm (0.05in) pitch configuration. Space saving design makes them ideal for high density applications. Offers a choice of mounting method for both the ribbon cable connectors and the matching pcb headers.

Specification

Materials & Finishes

Insulators	
MICA, MICAL	White glass filled PBTP
MICS, MICS-D	Black glass filled PBTP
MICSW, MICS/SMD	Black glass filled PA all flame retardant to UL94V-0
Contacts/Pins	
MICA, MICAL	Copper alloy, tin plated
MICS, MICS-D	
MICSW, MICS/SMD	Brass, tin over nickel plated

Electrical

Current rating	1.2A
Voltage rating	250Vac
Proof voltage	750V for 1 minute
Contact resistance (max.)	10mΩ
Insulation resistance (min.)	1000MΩ

Environmental

Operating temperature range.... -25°C to +100°C

- ◆ 1.27mm pitch
- ◆ For **wire-to-board** IDC connection
- ◆ Ideal for **high density** applications
- ◆ Choice of mounting
- ◆ 4 to 26 or 36 ways
- ◆ Flame retardant insulators

IDC CONNECTORS

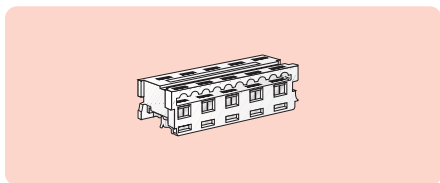


Pre-loaded mass termination housings, with insulation displacement contacts, designed for use with 0.05in. (1.27mm) pitch ribbon cable. Suitable cable being shown on page 173. The single piece housings aid cable positioning and employ white flame retardant insulators with integral strain relief. Two styles are available offering a choice of mounting method.

HEADER MOUNT

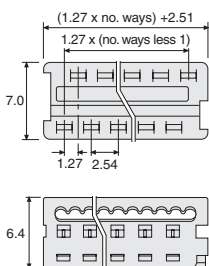
MICA

For mating with the header range shown on the opposite page. Feature a polarised body to ensure correct orientation.



Type	Manf. Part No. & Anglia Order Code
4 way	MICA04
6 way	MICA06
8 way	MICA08
10 way	MICA10
12 way	MICA12
14 way	MICA14
16 way	MICA16
18 way	MICA18
20 way	MICA20
26 way	MICA26
36 way	MICA36

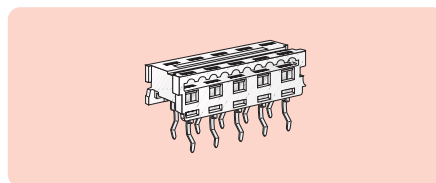
Dimensions (mm)



PCB MOUNT

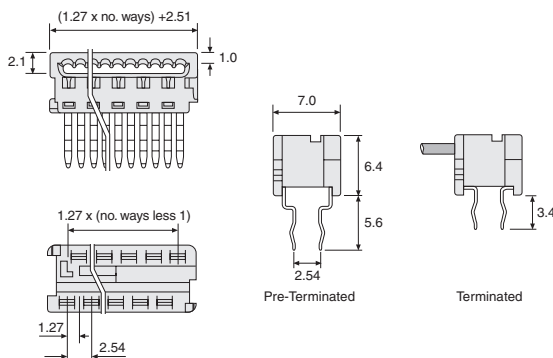
MICAL

For direct mounting onto a pcb. Kinked terminals aid board retention during soldering.



Type	Manf. Part No. & Anglia Order Code
4 way	MICAL04
6 way	MICAL06
8 way	MICAL08
10 way	MICAL10
12 way	MICAL12
14 way	MICAL14
16 way	MICAL16
18 way	MICAL18
20 way	MICAL20
26 way	MICAL26
36 way	MICAL36

Dimensions (mm)



1.27mm (0.05in) PITCH

NEW

HEADERS

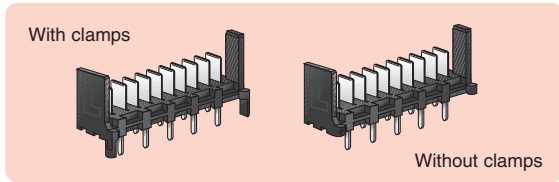
PCB mounting headers with integral friction lock and black flame retardant insulators. In-line flat blade contacts have staggered solder terminations. Choice of through hole or surface mount.

THROUGH HOLE

Designed to mate and lock with the MICA range of IDC connectors. Option of straight or right angle forms with straight available with or without pcb clamps.

Straight

MICS/MICS-D



Type	Manf. Part No. & Anglia Order Code	
	With clamps	Without clamps
4 way	MICS04	MICS-D04
6 way	MICS06	MICS-D06
8 way	MICS08	MICS-D08
10 way	MICS10	MICS-D10
12 way	MICS12	MICS-D12
14 way	MICS14	MICS-D14
16 way	MICS16	MICS-D16
18 way	MICS18	MICS-D18
20 way	MICS20	MICS-D20
26 way	MICS26	MICS-D26
36 way	MICS36	-

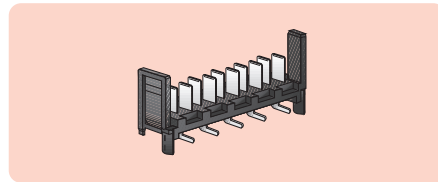
SURFACE MOUNT

Designed to mate and lock with the MICA range of IDC connectors.

Straight

SMD

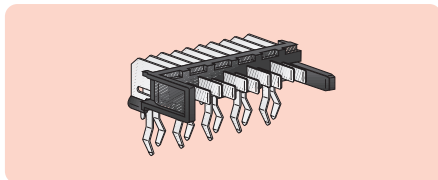
MICS/SMD



Type	Manf. Part No. & Anglia Order Code	
	With clamps	Without clamps
4 way	MICS/SMD04	MICS/SMD04
6 way	MICS/SMD06	MICS/SMD06
8 way	MICS/SMD08	MICS/SMD08
10 way	MICS/SMD10	MICS/SMD10
12 way	MICS/SMD12	MICS/SMD12
14 way	MICS/SMD14	MICS/SMD14
16 way	MICS/SMD16	MICS/SMD16
18 way	MICS/SMD18	MICS/SMD18
20 way	MICS/SMD20	MICS/SMD20
26 way	MICS/SMD26	MICS/SMD26

Right Angle

MICSW

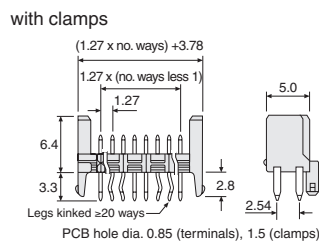


Type	Manf. Part No. & Anglia Order Code	
	With clamps	Without clamps
4 way	MICSW04	MICSW04
6 way	MICSW06	MICSW06
8 way	MICSW08	MICSW08
10 way	MICSW10	MICSW10
12 way	MICSW12	MICSW12
14 way	MICSW14	MICSW14
16 way	MICSW16	MICSW16
18 way	MICSW18	MICSW18
20 way	MICSW20	MICSW20
26 way	MICSW26	MICSW26

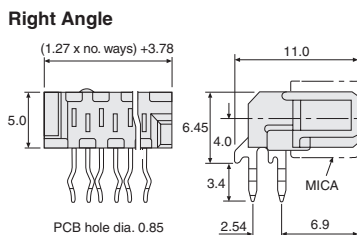
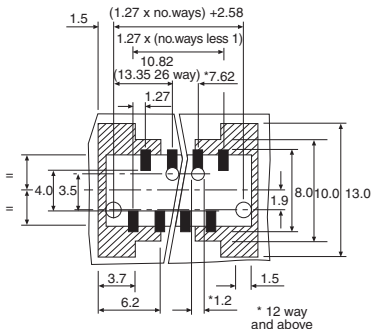
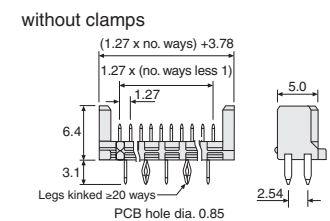
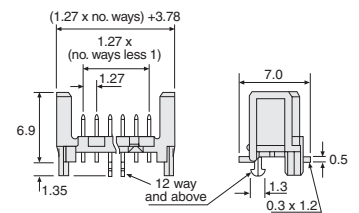
Dimensions (mm)

THROUGH HOLE

Straight



SURFACE MOUNT



lumberg

For the very latest information and news on the full range of lumberg products available from Anglia, visit our website : www.anglia.com/lumberg

Alternatively, contact our Sales Desk to discuss your specific requirements.