

**0.5mm PITCH**

**SMD**

**JAE type WR**

A series of high density surface mount sub-miniature board to board connectors, featuring an extremely compact 0.5mm pitch and very low profile making them ideally suited to applications where board space and height has to be kept to a minimum. This high quality plug and socket system features gold plated contacts and flame retardant insulators to UL94V-0.

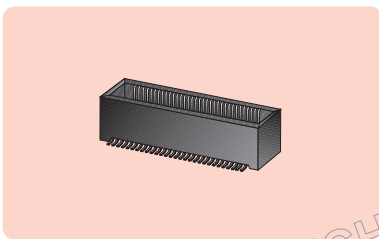
**Specification**

Current rating ..... 0.3A  
 Dielectric withstanding voltage..... 500Vac for 1 minute  
 Contact resistance (max.) ..... 50mΩ  
 Insulation resistance (min.) ..... 100MΩ  
 Operating temperature range ..... -40°C to +85°C

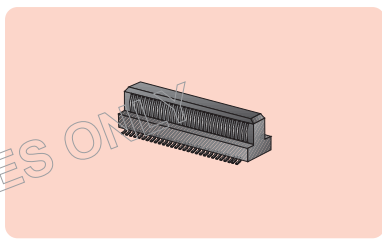
- ◆ Ribbon contact design (surface contact)
- ◆ Parallel board/board connection
- ◆ 0.5mm pitch
- ◆ Gold plated contacts

**NEW**

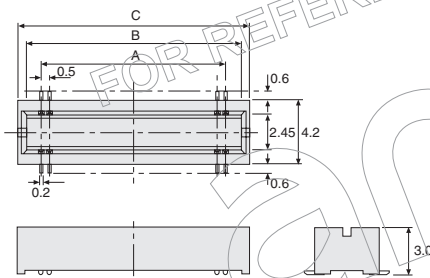
**PLUGS**



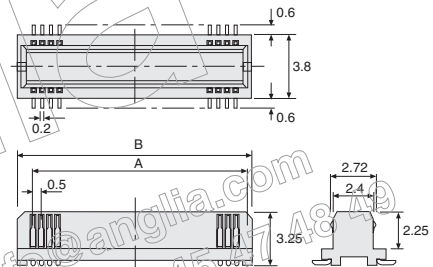
**SOCKETS**



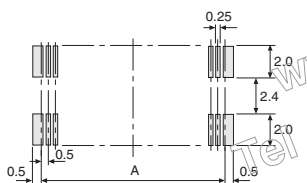
Dimensions (mm)



Dimensions (mm)

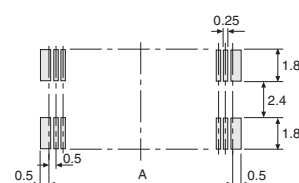


Pad Pattern



Ways	A	B	C
30	7.0	9.0	10.0
40	9.5	11.5	12.5
50	12.0	14.0	15.0
60	14.5	16.5	17.5
70	17.0	19.0	20.0
80	19.5	21.5	22.5
120	29.5	31.5	32.5
160	39.5	41.5	42.5

Pad Pattern



Ways	A	B
30	7.0	9.0
40	9.5	11.5
50	12.0	14.0
60	14.5	16.5
70	17.0	19.0
80	19.5	21.5
120	29.5	31.5
160	39.5	41.5

Type	Manf. Part No. & anglia Order Code
30 way	WR-30P-VF-A1
40 way	WR-40P-VF-A1
50 way	WR-50P-VF-A1
60 way	WR-60P-VF-A1
70 way	WR-70P-VF-A1
80 way	WR-80P-VF-A1
120 way	WR-120P-VF-A1
160 way	WR-160P-VF-A1

Type	Manf. Part No. & anglia Order Code
30 way	WR-30S-VF-1
40 way	WR-40S-VF-1
50 way	WR-50S-VF-1
60 way	WR-60S-VF-1
70 way	WR-70S-VF-1
80 way	WR-80S-VF-1
120 way	WR-120S-VF-1
160 way	WR-160S-VF-1

Different stacking heights and a right angle version are also available to special order

**0.8mm PITCH**

**SMD**

**JAE type KX14/KX15**

The KX14 and KX15 range of connectors is a low profile surface mounting board to board connector system with a compact contact spacing of 0.8mm, ideal where space, weight and density are critical factors. The connectors are available in a range of different heights to ensure that the desired board to board spacing can be achieved.

**Specification**

**Materials & Finishes**

Insulators ..... KX14: Black glass filled LCP  
 KX15: Black glass filled PPS  
 Contacts ..... Copper alloy  
 Contact area: 0.1µm min.  
 gold plated over nickel  
 Terminal area: Gold flash over nickel  
 Hold down ..... Copper alloy/tin-lead over nickel  
 Hook pin ..... Copper alloy/tin plated

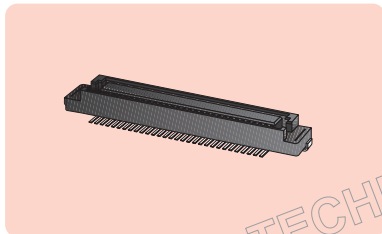
**Electrical**

Current rating ..... 0.5A  
 Dielectric withstanding voltage ..... 500Vac for 1 minute  
 Contact resistance (max) ..... 70mΩ  
 Insulation resistance (min) ..... 100MΩ min.  
 Operating temperature range ..... -40°C to +85°C

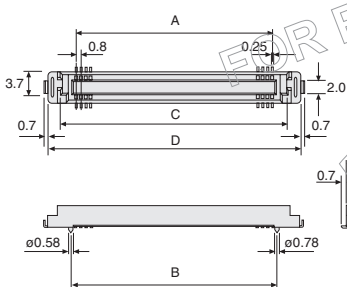


**SOCKETS**

**KX14**



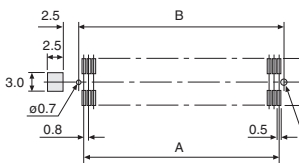
**Dimensions (mm)**



Stacking Height Code	X	Y
2	0.75	3.55
5	3.75	6.55

Ways	A	B	C	D
20	7.2	8.7	12.3	16
30	11.2	12.7	16.3	20
40	15.2	16.7	20.3	24
50	19.2	20.7	24.3	28
60	23.2	24.7	28.3	32
70	27.2	28.7	32.3	36
80	31.2	32.7	36.3	40
100	39.2	40.7	44.3	48
120	47.2	48.7	52.3	56
140	55.2	56.7	60.3	64

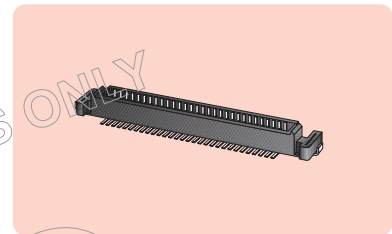
**Pad Pattern**



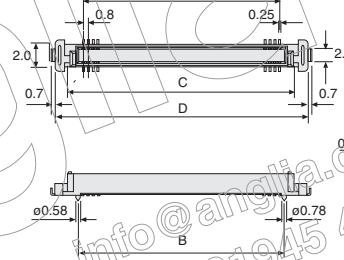
Type	Manf. Part No. & anglia Order Code	
	Stacking Height	
	3.55mm	6.55mm
20 way	KX14-20K2D	KX14-20K5D
30 way	KX14-30K2D	KX14-30K5D
40 way	KX14-40K2D	KX14-40K5D
50 way	KX14-50K2D	KX14-50K5D
60 way	KX14-60K2D	KX14-60K5D
70 way	KX14-70K2D	KX14-70K5D
80 way	KX14-80K2D	KX14-80K5D
100 way	KX14-100K2D	KX14-100K5D
120 way	KX14-120K2D	KX14-120K5D
140 way	KX14-140K2D	KX14-140K5D

**PLUGS**

**KX15**

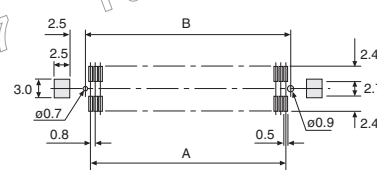


**Dimensions (mm)**



Stacking Height Code	X	Y
2	3.25	3.75
3	4.25	4.75

**Pad Pattern**



Ways	A	B	C	D
20	7.2	8.7	10.6	16
30	11.2	12.7	14.6	20
40	15.2	16.7	18.6	24
50	19.2	20.7	22.6	28
60	23.2	24.7	26.6	32
70	27.2	28.7	30.6	36
80	31.2	32.7	34.6	40
100	39.2	40.7	42.6	48
120	47.2	48.7	50.6	56
140	55.2	56.7	58.6	64

Type	Manf. Part No. & anglia Order Code	
	Stacking Height	
	3.75mm	4.75mm
20 way	KX15-20K2D	KX15-20K3D
30 way	KX15-30K2D	KX15-30K3D
40 way	KX15-40K2D	KX15-40K3D
50 way	KX15-50K2D	KX15-50K3D
60 way	KX15-60K2D	KX15-60K3D
70 way	KX15-70K2D	KX15-70K3D
80 way	KX15-80K2D	KX15-80K3D
100 way	KX15-100K2D	KX15-100K3D
120 way	KX15-120K2D	KX15-120K3D
140 way	KX15-140K2D	KX15-140K3D

A right angle version of the KX15 is also available to special order

Taicom 0.8mm Pitch Board to Board Connectors shown overleaf > > >

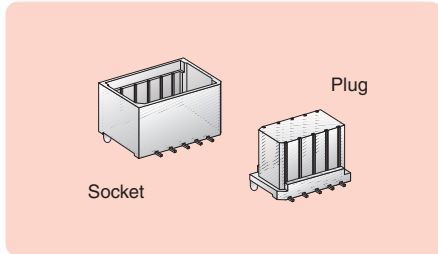
0.8mm PITCH

continued



TAICOM type TPP-SM

A range of high density low profile surface mount connectors which have a contact pitch of 0.8mm, enabling a high number of connections per linear centimetre. Available in 4mm or 6mm height when mated, the connectors are polarised to stop incorrect insertion and have bevelled edges to aid connection.



- ◆ High density double row contacts
- ◆ 0.8mm pitch
- ◆ Choice of two heights (via socket option)
- ◆ Polarised to stop incorrect insertion

Specification

Materials & Finishes

Insulators ..... Nylon 6T, flame retardant to UL94V-0  
 Contacts ..... Phosphor bronze, gold plated

Electrical

Current rating ..... 0.5A  
 Voltage rating ..... 50V  
 Proof voltage ..... 500V  
 Contact resistance (max.) ..... 40mΩ  
 Insulation resistance (min.) ..... 100MΩ  
 Operating temperature range ..... -20°C to +105°C

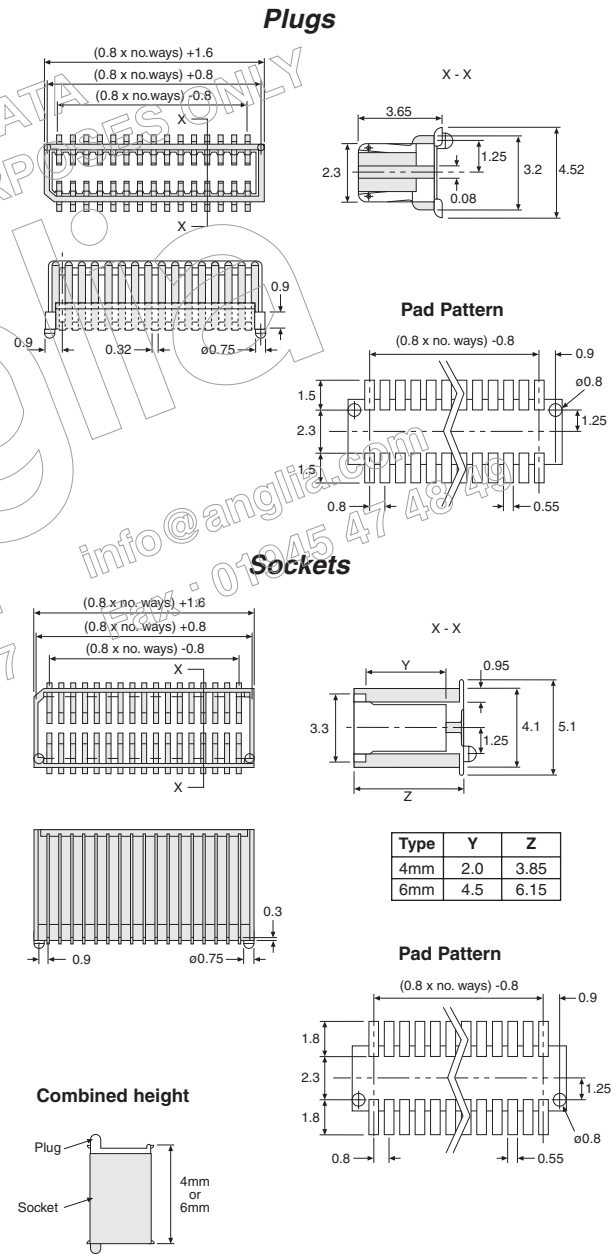
PLUGS

Type	Manf. Part No. & anglia Order Code
5 + 5 way	TPP05PSM
6 + 6 way	TPP06PSM
7 + 7 way	TPP07PSM
8 + 8 way	TPP08PSM
9 + 9 way	TPP09PSM
10 + 10 way	TPP10PSM
11 + 11 way	TPP11PSM
12 + 12 way	TPP12PSM
13 + 13 way	TPP13PSM
14 + 14 way	TPP14PSM
15 + 15 way	TPP15PSM
16 + 16 way	TPP16PSM
17 + 17 way	TPP17PSM
18 + 18 way	TPP18PSM
19 + 19 way	TPP19PSM
20 + 20 way	TPP20PSM

SOCKETS

Type	4mm		6mm	
	Manf. Part No. & anglia Order Code	Manf. Part No. & anglia Order Code	Manf. Part No. & anglia Order Code	Manf. Part No. & anglia Order Code
5 + 5 way	TPP05S4SM	TPP05S6SM		
6 + 6 way	TPP06S4SM	TPP06S6SM		
7 + 7 way	TPP07S4SM	TPP07S6SM		
8 + 8 way	TPP08S4SM	TPP08S6SM		
9 + 9 way	TPP09S4SM	TPP09S6SM		
10 + 10 way	TPP10S4SM	TPP10S6SM		
11 + 11 way	TPP11S4SM	TPP11S6SM		
12 + 12 way	TPP12S4SM	TPP12S6SM		
13 + 13 way	TPP13S4SM	TPP13S6SM		
14 + 14 way	TPP14S4SM	TPP14S6SM		
15 + 15 way	TPP15S4SM	TPP15S6SM		
16 + 16 way	TPP16S4SM	TPP16S6SM		
17 + 17 way	TPP17S4SM	TPP17S6SM		
18 + 18 way	TPP18S4SM	TPP18S6SM		
19 + 19 way	TPP19S4SM	TPP19S6SM		
20 + 20 way	TPP20S4SM	TPP20S6SM		

Dimensions (mm)



**1.27mm (0.05in) PITCH**

**JAE type TX4/TX5**

The TX4 and TX5 range of connectors is a two piece through hole board to board connector system with a dual row contact arrangement. The pin spacing is on a 1.27mm pitch. The range consists of straight and right angle plugs and sockets enabling horizontal, vertical and parallel board to board mating. This high quality plug and socket system features gold plated contacts and flame retardant insulators to UL94V-0.

**Specification**

**Materials & Finishes**

Insulators ..... Black PBT to UL94V-0  
 Expansion post ..... Phosphor bronze/tin plated  
 Contact ..... Phosphor bronze  
 Connecting area: Gold plated over nickel  
 Terminal area: Tin plated

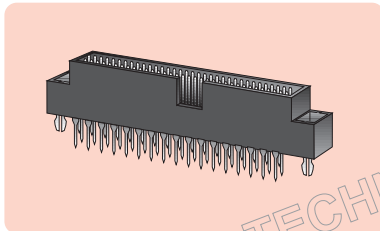
**Electrical**

Current rating ..... 0.5A  
 Operating voltage ..... 250Vac  
 Dielectric withstanding voltage ..... 500Vac for 1 minute  
 Contact resistance (max) ..... 25mΩ  
 Insulation resistance (min) ..... 100MΩ  
 Operating temperature range ..... -40°C to +80°C  
 Applicable PCB thickness ..... 1.6mm

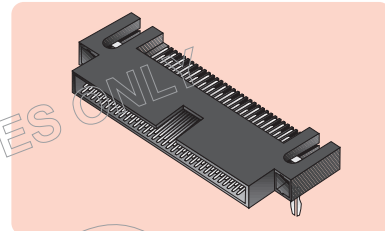


**PLUGS**

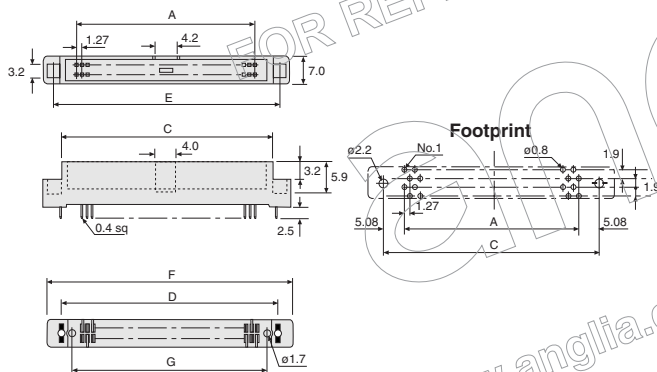
**Straight**



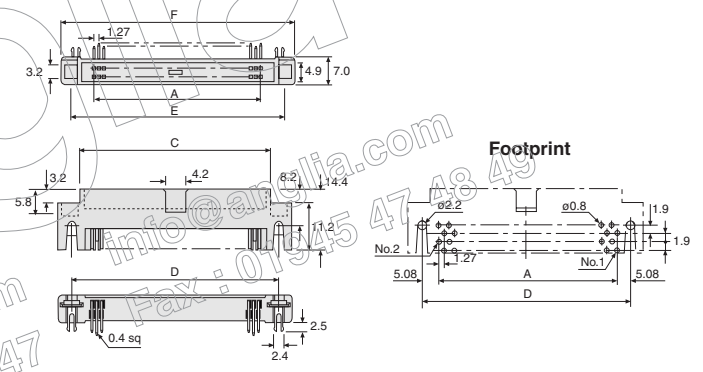
**Right Angle**



**Dimensions (mm)**



**Dimensions (mm)**



Ways	A	C	D	E	F	G
20	11.43	20.03	21.59	23.23	28.6	16.51
26	15.24	23.84	25.40	27.04	32.4	20.32
30	17.78	26.38	27.94	29.58	35.0	22.86
34	20.32	28.92	30.48	32.12	37.5	25.40
40	24.13	32.73	34.29	35.93	41.3	29.21
50	30.48	39.08	40.64	42.28	47.7	35.56
60	36.83	45.43	46.99	48.63	54.0	41.91
68	41.91	50.51	52.07	53.71	59.1	46.99
80	49.53	58.13	59.69	61.33	66.7	54.61

Ways	A	C	D	E	F
20	11.43	20.03	21.59	23.23	28.6
26	15.24	23.84	25.40	27.04	32.4
30	17.78	26.38	27.94	29.58	35.0
34	20.32	28.92	30.48	32.12	37.5
40	24.13	32.73	34.29	35.93	41.3
50	30.48	39.08	40.64	42.28	47.7
60	36.83	45.43	46.99	48.63	54.0
68	41.91	50.51	52.07	53.71	59.1
80	49.53	58.13	59.69	61.33	66.7

**Type**

20 way  
 26 way  
 30 way  
 34 way  
 40 way  
 50 way  
 60 way  
 68 way  
 80 way

**Manf. Part No. & anglia Order Code**

**TX5-20P-D2ST-MH1**  
**TX5-26P-D2ST-MH1**  
**TX5-30P-D2ST-MH1**  
**TX5-34P-D2ST-MH1**  
**TX5-40P-D2ST-MH1**  
**TX5-50P-D2ST-MH1**  
**TX5-60P-D2ST-MH1**  
**TX5-68P-D2ST-MH1**  
**TX5-80P-D2ST-MH1**

**Type**

20 way  
 26 way  
 30 way  
 34 way  
 40 way  
 50 way  
 60 way  
 68 way  
 80 way

**Manf. Part No. & anglia Order Code**

**TX5-20P-D2LT-MH1**  
**TX5-26P-D2LT-MH1**  
**TX5-30P-D2LT-MH1**  
**TX5-34P-D2LT-MH1**  
**TX5-40P-D2LT-MH1**  
**TX5-50P-D2LT-MH1**  
**TX5-60P-D2LT-MH1**  
**TX5-68P-D2LT-MH1**  
**TX5-80P-D2LT-MH1**

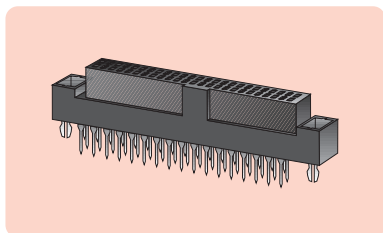
JAE type TX4/TX5 continued overleaf > > >

**1.27mm (0.05in) PITCH**

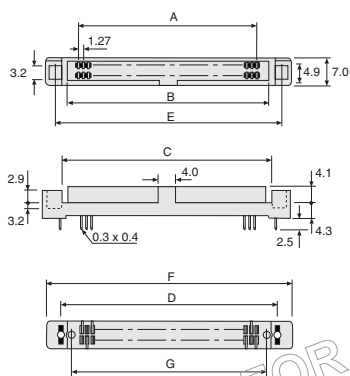
**JAE type TX4/TX5** *continued*

**SOCKETS**

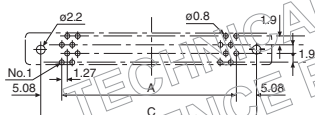
**Straight**



**Dimensions (mm)**



**Footprint**



Ways	A	B	C	D	E	F	G
20	11.43	17.43	20.23	21.59	23.23	28.6	16.51
26	15.24	21.24	24.04	25.40	27.04	32.4	20.32
30	17.78	23.78	26.58	27.94	29.58	35.0	22.86
34	20.32	26.32	29.12	30.48	32.12	37.5	25.40
40	24.13	30.13	32.3	34.29	35.93	41.3	29.21
50	30.48	36.48	39.28	40.64	42.28	47.7	35.56
60	36.83	42.83	45.63	46.99	48.63	54.0	41.91
68	41.91	47.91	50.71	52.07	53.71	59.1	46.99
80	49.53	55.53	58.33	59.69	61.33	66.7	54.61

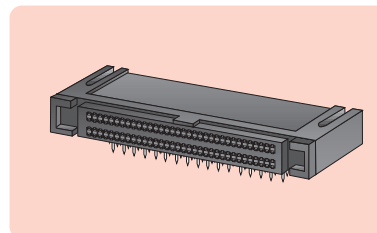
**Type**

- 20 way
- 26 way
- 30 way
- 34 way
- 40 way
- 50 way
- 60 way
- 68 way
- 80 way

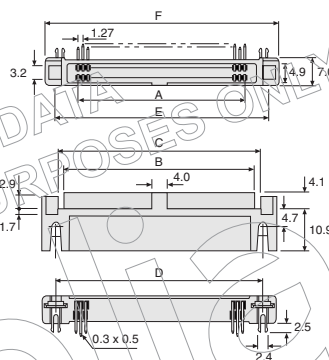
**Manf. Part No. & anglia Order Code**

- TX4-20S-D2ST-MH1**
- TX4-26S-D2ST-MH1**
- TX4-30S-D2ST-MH1**
- TX4-34S-D2ST-MH1**
- TX4-40S-D2ST-MH1**
- TX4-50S-D2ST-MH1**
- TX4-60S-D2ST-MH1**
- TX4-68S-D2ST-MH1**
- TX4-80S-D2ST-MH1**

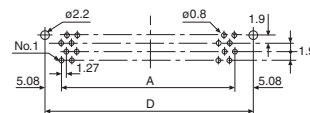
**Right Angle**



**Dimensions (mm)**



**Footprint**



Ways	A	B	C	D	E	F
50	30.48	36.48	39.28	40.64	42.28	47.7
68	41.91	47.91	50.71	52.07	53.71	59.1
80	49.53	55.53	58.33	59.69	61.33	66.7

**Type**

- 50 way
- 68 way
- 80 way

**Manf. Part No. & anglia Order Code**

- TX4-50S-D2LT-MH1**
- TX4-68S-D2LT-MH1**
- TX4-80S-D2LT-MH1**



For the very latest information and news on the full range of JAE products available from Anglia, visit our website :

[www.anglia.com/jae](http://www.anglia.com/jae)

Alternatively, contact our Sales Desk to discuss your specific requirements.