

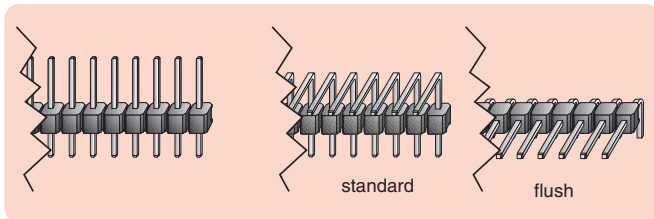
2.54mm (0.1in) PITCH

PIN HEADERS

A range of the popular 2.54mm (0.1in) pitch, pcb pin headers which may be broken down to the required amount of ways. Choice of single or double row, straight or right-angle gold over nickel plated termination pins. The 0.64mm (0.025in) square pins are also suitable for wire wrapping. Matching pcb sockets are shown opposite, mini jumper links for bussing, programming and switch replacement are shown on page 202.

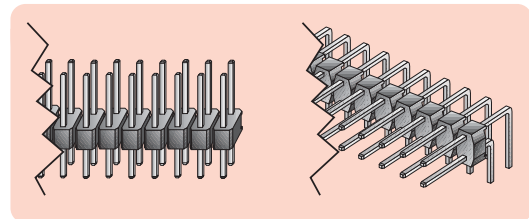
SINGLE ROW

Choice of 2 to 40 way in straight or right angle form, with right angle providing an option of standard or flush (low profile) mounting. Pins gold over nickel plated for higher reliability. N.B. Other pre-cut single row headers available to special order.



DOUBLE ROW

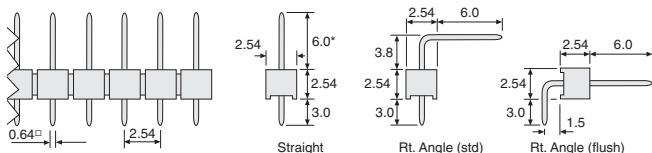
Choice of 2 to 40 way (4 to 80 pins) in straight or right angle form. Pins gold over nickel plated for higher reliability. N.B. Other pre-cut dual row headers available to special order.



Type	Manf. Part No. & anglia Order Code		
	Straight	Rt. Angle (std)	Rt. Angle (flush)
2 way	TPH02SS	TPH02SR	TPH02SRF
3 way	TPH03SS	TPH03SR	TPH03SRF
4 way	TPH04SS	TPH04SR	TPH04SRF
5 way	TPH05SS	TPH05SR	TPH05SRF
6 way	TPH06SS	TPH06SR	TPH06SRF
7 way	TPH07SS	TPH07SR	TPH07SRF
8 way	TPH08SS	TPH08SR	TPH08SRF
9 way	TPH09SS	TPH09SR	TPH09SRF
10 way	TPH10SS	TPH10SR	TPH10SRF
11 way	TPH11SS	-	-
12 way	TPH12SS	TPH12SR	TPH12SRF
13 way	TPH13SS	TPH13SR	TPH13SRF
14 way	TPH14SS	-	-
15 way	TPH15SS	TPH15SR	TPH15SRF
16 way	TPH16SS	-	-
17 way	TPH17SS	TPH17SR	TPH17SRF
18 way	TPH18SS	-	-
20 way	TPH20SS	TPH20SR	TPH20SRF
22 way	TPH22SS	-	-
25 way	TPH25SS	-	-
32 way	-	TPH32SR	TPH32SRF
36 way	TPH36SS	TPH36SR	TPH36SRF
40 way	TPH40SS	TPH40SR	TPH40SRF

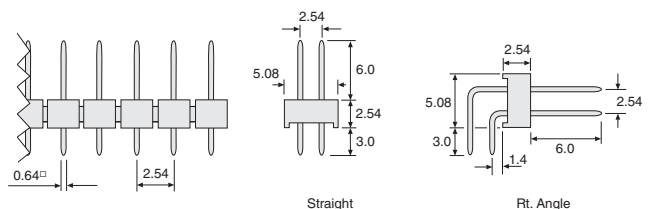
Type	Manf. Part No. & anglia Order Code	
	Straight	Rt. Angle
2 way	TPH02DS	TPH02DR
3 way	TPH03DS	TPH03DR
4 way	TPH04DS	TPH04DR
5 way	TPH05DS	TPH05DR
6 way	TPH06DS	TPH06DR
7 way	TPH07DS	TPH07DR
8 way	TPH08DS	TPH08DR
9 way	TPH09DS	TPH09DR
10 way	TPH10DS	TPH10DR
11 way	TPH11DS	-
12 way	TPH12DS	TPH12DR
13 way	TPH13DS	TPH13DR
14 way	TPH14DS	-
15 way	TPH15DS	TPH15DR
16 way	TPH16DS	-
17 way	TPH17DS	TPH17DR
18 way	TPH18DS	-
20 way	TPH20DS	TPH20DR
25 way	TPH25DS	-
32 way	-	TPH32DR
36 way	TPH36DS	TPH36DR
40 way	TPH40DS	TPH40DR

Dimensions (mm)



* Single row pin headers with longer length (7.0mm) pins, suitable for use with TAICOM type TK crimp terminal housings and pcb sockets, are shown on page 218.

Dimensions (mm)



PRE-CUT PIN HEADERS WITH FITTED JUMPER LINKS
available to special order

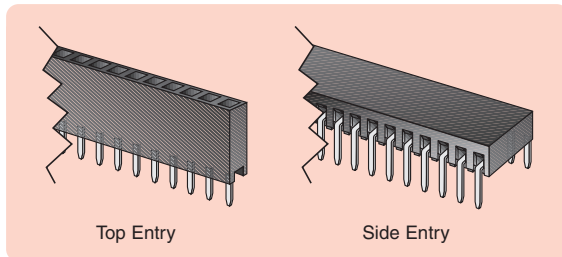
2.54mm (0.1in) PITCH

SOCKETS

Used in conjunction with our square pin headers, shown opposite, these pcb mounting sockets will enable a complete pcb interconnection system to be developed. Their 2.54mm (0.1in) pitch socket contacts, gold over nickel plated, accept 0.64mm (0.025in) square pins and are available in single or double row, top or side entry form with a wide choice of ways. Side entry types are supplied in tubes.

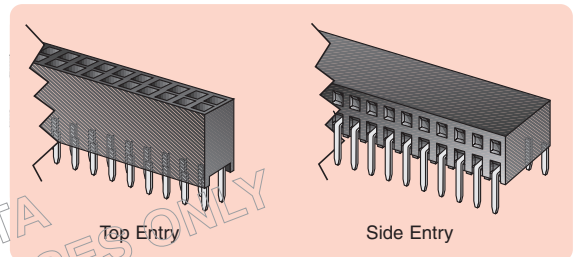
SINGLE ROW

Choice of 2 to 40 way in top or side entry form. Contacts gold over nickel plated for higher reliability.
N.B. Other ways available to special order.



DOUBLE ROW

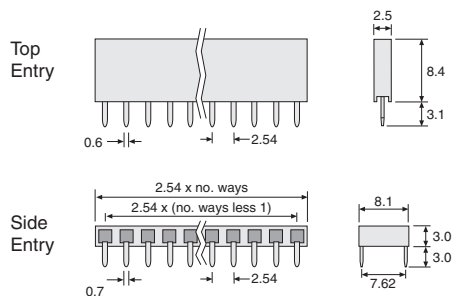
Choice of 2 to 40 way (4 to 80 contacts) in top or side entry form. Contacts gold over nickel plated for higher reliability.
N.B. Other ways available to special order.



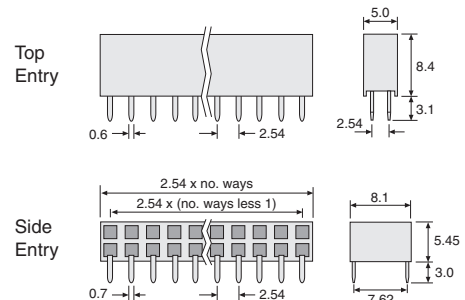
Type	Manf. Part No. & Anglia Order Code	
	Top Entry	Side Entry
2 way	TFH02SS	-
3 way	TFH03SS	TFH03SR
4 way	TFH04SS	TFH04SR
5 way	TFH05SS	TFH05SR
6 way	TFH06SS	TFH06SR
7 way	TFH07SS	TFH07SR
8 way	TFH08SS	TFH08SR
9 way	TFH09SS	TFH09SR
10 way	TFH10SS	TFH10SR
11 way	TFH11SS	-
12 way	TFH12SS	TFH12SR
13 way	TFH13SS	TFH13SR
14 way	TFH14SS	-
15 way	TFH15SS	TFH15SR
16 way	TFH16SS	-
17 way	TFH17SS	TFH17SR
18 way	TFH18SS	-
20 way	TFH20SS	TFH20SR
25 way	TFH25SS	-
32 way	-	TFH32SR
36 way	TFH36SS	TFH36SR
40 way	TFH40SS	TFH40SR

Type	Manf. Part No. & Anglia Order Code	
	Top Entry	Side Entry
2 way	TFH02DS	-
3 way	TFH03DS	TFH03DR
4 way	TFH04DS	TFH04DR
5 way	TFH05DS	TFH05DR
6 way	TFH06DS	TFH06DR
7 way	TFH07DS	TFH07DR
8 way	TFH08DS	TFH08DR
9 way	TFH09DS	TFH09DR
10 way	TFH10DS	TFH10DR
11 way	TFH11DS	-
12 way	TFH12DS	TFH12DR
13 way	TFH13DS	TFH13DR
14 way	TFH14DS	-
15 way	TFH15DS	TFH15DR
16 way	TFH16DS	-
17 way	TFH17DS	TFH17DR
18 way	TFH18DS	-
20 way	TFH20DS	TFH20DR
25 way	TFH25DS	-
32 way	-	TFH32DR
36 way	TFH36DS	TFH36DR
40 way	TFH40DS	TFH40DR

Dimensions (mm)



Dimensions (mm)



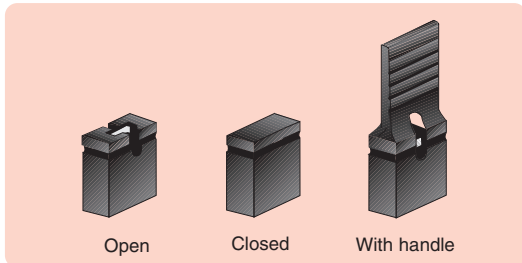
MINI JUMPER LINKS

shown overleaf > > > >

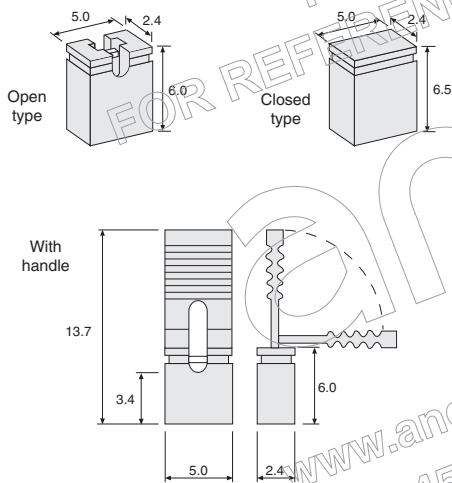
2.54mm (0.1in) PITCH *continued*

MINI JUMPER LINKS

2.54mm (0.1in) pitch shorting links for use with the 0.64mm (0.025in) square pin headers shown on page 200. Contacts gold over nickel plated for higher reliability. Choice of type and colour with other colours available to special volume order. End and side stackable.



Dimensions (mm)



Open type
Allows test probe access.

- Colour**
Black
Red
Yellow
Green
Blue
White

Manf. Part No. & Anglia Order Code
TMJ00
TMJ02
TMJ04
TMJ05
TMJ06
TMJ09

Closed type
Fully covered link.

- Colour**
Black
Red
Yellow
Green
Blue
White

Manf. Part No. & Anglia Order Code
TMJ00C
TMJ02C
TMJ04C
TMJ05C
TMJ06C
TMJ09C

With handle
For easier removal. Test probe access.

- Colour**
Black
Red
Yellow
Green
Blue
White

Manf. Part No. & Anglia Order Code
TMJ00H
TMJ02H
TMJ04H
TMJ05H
TMJ06H
TMJ09H

2.54mm (0.1in) PITCH

TURNED PIN SIL HEADERS

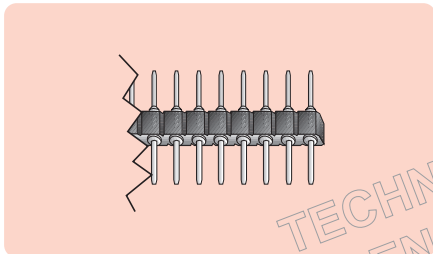
TAICOM type TPH-T

2.54mm (0.1in) pitch, single row (SIL) headers with precision turned pins, designed to be broken down to the required number of ways. May be combined with the turned pin SIL sockets, shown below, to form a plug and socket pair or used simply as a header. Pins are tin plated as standard with gold plating available to special order.

Specification (Headers)

Termination pins	Copper alloy, tin plated
Insulators	Black PPS
	flame retardant to UL94V-0
Current rating	1A
Proof voltage	500Vac
Insulation resistance (min)	5000MΩ
Operating temperature range.....	-40°C to +105°C

- ◆ Precision turned pins
- ◆ Flame retardant insulators
- ◆ Easily snapped to required ways
- ◆ Create plug & socket pair with SIL sockets



Type

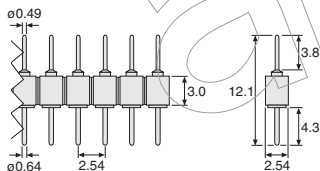
STRAIGHT

20 way
32 way

Manf. Part No.
& **anglia**
Order Code

TPH20SST
TPH32SST

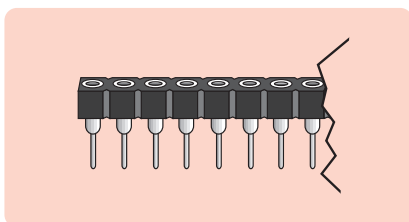
Dimensions (mm)



TECHNICAL DATA
 FOR REFERENCE PURPOSES ONLY
 anglia
 info@anglia.com
 Fax : 01945 47 48 49
 www.anglia.com
 Tel : 01945 47 47 47

TURNED PIN SIL SOCKETS

For full specification details refer to TAICOM type TTD shown on page 179.



Type

20 way
32 way

Manf. Part No.
& **anglia**
Order Code

TTS20
TTS32