

TAICOM type TDN

A range of industry standard DIN41612 indirect cardframe connectors with grey UL94V-0 moulded bodies. Ideal for mother to daughter board interconnection whilst being fully compatible with 19in sub-rack systems and eurocards. Choice of B or C body style and amount of ways. Supplied as right angle plugs and straight sockets, all with pcb pins. Option of Class 2 or Class 3 performance level.

Specification

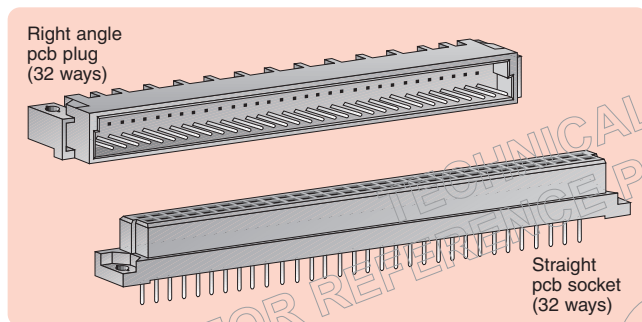
Contacts	Phosphor bronze or brass gold over nickel plated
Body	Grey glass filled PBT flame retardant to UL94V-0
Current rating	2A
Proof voltage	1000Vac
Contact resistance (max)	20mΩ
Insulation resistance (min)	1000MΩ
Operating temperature range	-55°C to +105°C

OTHER BODY TYPES, CONTACT ARRANGEMENTS AND TERMINATION METHODS

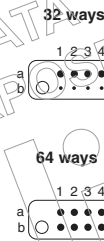
Available to special order

- ◆ Industry standard **DIN41612** range
- ◆ Ideal for indirect board to board interconnection
- ◆ Compatible with 19in sub-rack systems and eurocards
- ◆ Grey flame retardant bodies
- ◆ Choice of **B** or **C** body style and amount of ways
- ◆ Matching **R/A plugs** and **straight sockets**
- ◆ Option of **Class 2** or **Class 3**
- ◆ All connectors **pcb mounting**

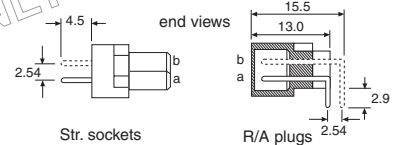
Body Style B 2 row



Contact arrangement



Dimensions (mm)



	L	H	FC
R/A plugs	94.0	8.5	88.9
Str. sockets	95.0	11.6	90.0

Pin spacing (adjacent contacts): 2.54

	No. of ways	Rows Loaded
Right angle pcb plugs (male contacts)	32 64	a a + b
Straight pcb sockets (female contacts)	32 64	a a + b

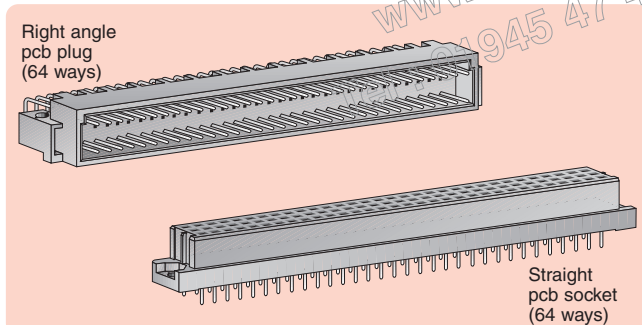
CLASS 2

Manf. Part No. & Anglia Order Code
TDN32MB2
TDN64MB2
TDN32FB2
TDN64FB2

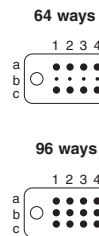
CLASS 3

Manf. Part No. & Anglia Order Code
TDN32MB
TDN64MB
TDN32FB
TDN64FB

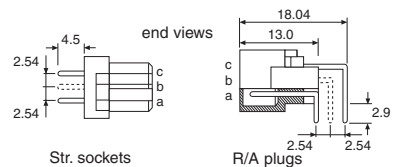
Body Style C 3 row



Contact arrangement



Dimensions (mm)



	L	H	FC
R/A plugs	94.0	10.9	88.9
Str. sockets	95.0	11.6	90.0

Pin spacing (adjacent contacts): 2.54

	No. of ways	Rows Loaded
Right angle pcb plugs (male contacts)	64 96	a + c a + b + c
Straight pcb sockets (female contacts)	64 96	a + c a + b + c

CLASS 2

Manf. Part No. & Anglia Order Code
TDN64MC2
TDN96MC2
TDN64FC2
TDN96FC2

CLASS 3

Manf. Part No. & Anglia Order Code
TDN64MC
TDN96MC
TDN64FC
TDN96FC

HARTING type DIN41612

NEW

A range of industry standard DIN41612 indirect cardframe connectors with grey UL94V-0 moulded bodies. Ideal for mother to daughter board interconnection whilst being fully compatible with 19in sub-rack systems and eurocards. Choice of B, C, 2B, 2C & R body types and amount of ways. Supplied as right angle plugs and straight sockets (reversed with body type R), all fitted with pcb pins. Option of Class 2 or Class 3 performance level throughout.

Specification

Contacts	Copper alloy, gold over nickel plated on contact area, tinned on pcb pins
Body	Grey glass filled thermoplastic resin flame retardant to UL94V-0
Current rating	2A max.
Proof voltage	1000Vac
Contact resistance (max)	20mΩ
Insulation resistance (min)	10 ¹² Ω
Operating temperature range	-65°C to +125°C

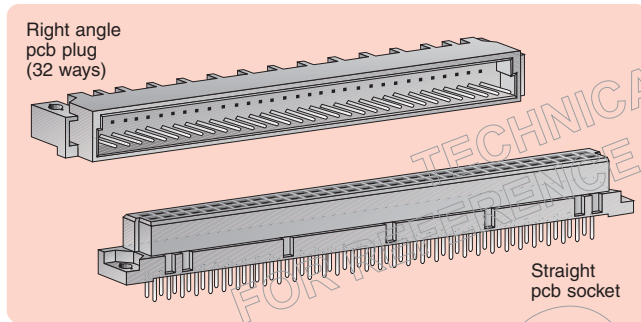


ALSO AVAILABLE :

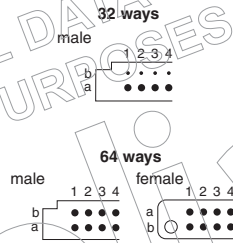
- Other body types, contact arrangements and termination methods
- Accessories and tooling
- Surface mount compatible versions

- ◆ Industry standard **DIN41612** range
- ◆ Ideal for indirect board to board interconnection
- ◆ Compatible with 19in sub-rack systems and eurocards
- ◆ Grey flame retardant bodies
- ◆ Choice of **B, C, 2B & 2C** body types and amount of ways
- ◆ Matching **R/A plugs** and **straight sockets**
- ◆ Reverse body type **R** also available
- ◆ Option of **Class 2** or **Class 3** throughout
- ◆ All connectors **pcb mounting**

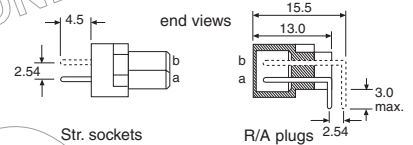
Type B 2 row



Contact arrangement



Dimensions (mm)



	L	H	FC
R/A plugs	94.0 max.	8.6 max.	88.9
Str. sockets	95.0 max.	11.6 max.	90.0

Pin spacing (adjacent contacts): 2.54

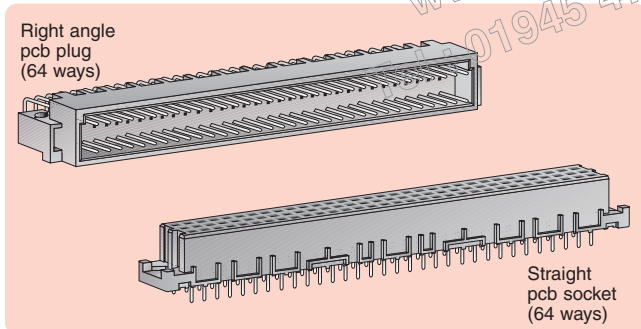
	No. of ways	Rows Loaded
Right angle pcb plugs (male contacts)	32	a
	64	a + b
Straight pcb socket - class 2 (suitable for use with all above plugs) (female contacts)	64	a + b

CLASS 2
Manf. Part No. & anglia Order Code
0902-132-6931
0902-164-6921

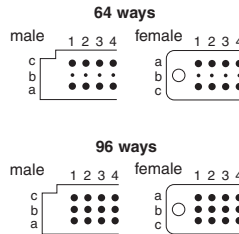
CLASS 3
Manf. Part No. & anglia Order Code
0902-132-7931
0902-164-7921

0902-264-6825

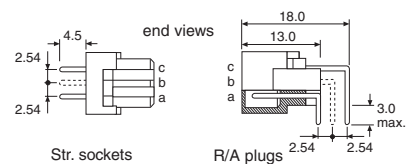
Type C 3 row



Contact arrangement



Dimensions (mm)



	L	H	FC
R/A plugs	94.0 max.	11.1 max.	88.9
Str. sockets	95.0 max.	11.6 max.	90.0

Pin spacing (adjacent contacts): 2.54

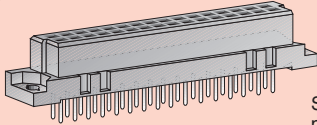
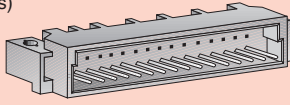
	No. of ways	Rows Loaded
Right angle pcb plugs (male contacts)	64	a + c
	96	a + b + c
Straight pcb sockets (female contacts)	64	a + c
	96	a + b + c

CLASS 2
Manf. Part No. & anglia Order Code
0903-164-6921
0903-196-6921
0903-264-6825
0903-296-6825

CLASS 3
Manf. Part No. & anglia Order Code
0903-164-7921
0903-196-7921
0903-264-7825
0903-296-7825

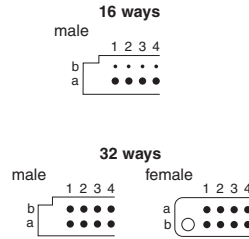
Type 2B (1/2B) 2 row

Right angle
pcb plug
(16 ways)

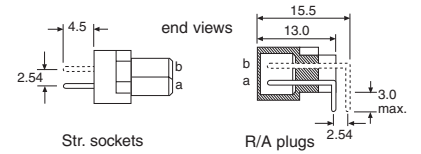


Straight
pcb socket

Contact arrangement



Dimensions (mm)



	L	H	FC
R/A plugs	54.0 max.	8.6 max.	48.26
Str. sockets	55.0 max.	11.6 max.	50.0

Pin spacing (adjacent contacts): 2.54

	No. of ways	Rows Loaded
Right angle pcb plugs (male contacts)	16	a
	32	a + b
Straight pcb socket - class 2 (suitable for use with all above plugs) (female contacts)	32	a + b

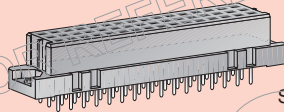
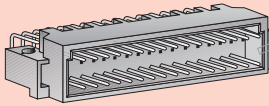
CLASS 2
Manf. Part No. & anglia Order Code
0922-116-6931
0922-132-6921

CLASS 3
Manf. Part No. & anglia Order Code
0922-116-7931
0922-132-7921

0922-232-6825

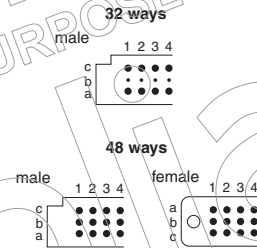
Type 2C (1/2C) 3 row

Right angle
pcb plug
(32 ways)

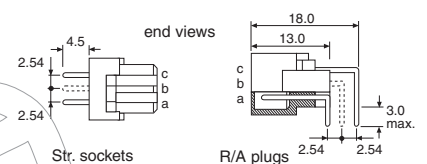


Straight
pcb socket

Contact arrangement



Dimensions (mm)



	L	H	FC
R/A plugs	54.0 max.	11.1 max.	48.26
Str. sockets	55.0 max.	11.6 max.	50.0

Pin spacing (adjacent contacts): 2.54

	No. of ways	Rows Loaded
Right angle pcb plugs (male contacts)	32	a + c
	48	a + b + c
Straight pcb socket - class 2 (suitable for use with all above plugs) (female contacts)	48	a + b + c

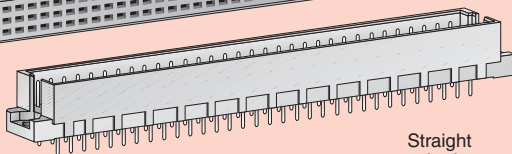
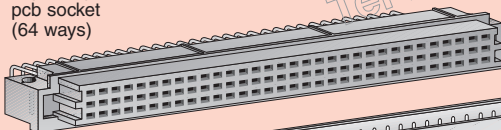
CLASS 2
Manf. Part No. & anglia Order Code
0923-132-6921
0923-148-6921

CLASS 3
Manf. Part No. & anglia Order Code
0923-132-7921
0923-148-7921

0923-248-6825

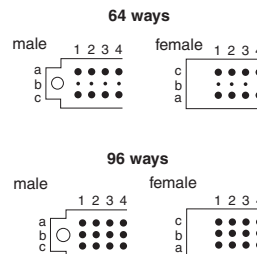
Type R 3 row

Right angle
pcb socket
(64 ways)

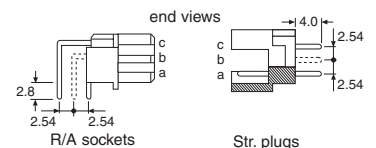


Straight
pcb plug
(64 ways)

Contact arrangement



Dimensions (mm)



	L	H	FC
Str. plugs	95.0 max.	11.6 max.	90.0
R/A sockets	94.0	9.5	88.9

Pin spacing (adjacent contacts): 2.54

	No. of ways	Rows Loaded
Straight pcb plugs (male contacts)	64	a + c
	96	a + b + c
Right angle pcb sockets (female contacts)	64	a + c
	96	a + b + c

CLASS 2
Manf. Part No. & anglia Order Code
0973-164-6903
0973-196-6903
0973-264-6801
0973-296-6801

CLASS 3
Manf. Part No. & anglia Order Code
0973-164-7903
0973-196-7903
0973-264-7801
0973-296-7801