

TAICOM type TC

A range of centronics compatible 36 way cable plugs and pcb sockets designed for the connection of data interface cables to computers and their peripherals. Both the plugs and sockets have metal shells with a choice of termination or mounting to provide a versatile and cost effective series of products.

Specification

Materials & Finishes

Shells/Hoods..... Steel, nickel plated
 Insulators..... Blue glass filled PBT
 flame retardant to UL94V-0
 Contacts..... Phosphor bronze or bronze
 gold over nickel plated

Electrical

Current rating..... 5A (1A IDC)
 Voltage rating..... 250Vac/dc
 Proof voltage..... 1000Vac (500Vac IDC)
 Contact resistance (max)..... 20mΩ
 Insulation resistance (min)..... 1000MΩ at 500Vdc
 Operating temperature range..... -55°C to +105°C

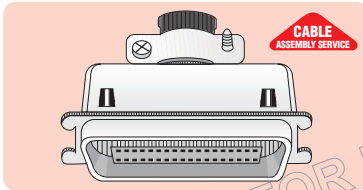
- ◆ IEEE-488 type, **36 way**
- ◆ Centronics compatible
- ◆ Gold over nickel contacts
- ◆ Blue flame retardant insulators
- ◆ Choice of termination/mounting
- ◆ Very competitively priced.

PLUGS

Choice of termination method with contacts gold over nickel plated.

Solder

Cable mounting plug with solder bucket terminals. Complete with metal hood and rubber cable gland. Industry no. 57-30360.



Type

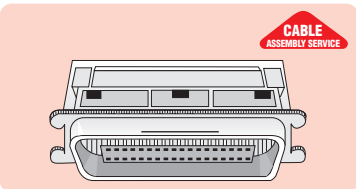
36 way

Manf. Part No. & anglia Order Code

TC36MBC

IDC

For direct termination to 0.050in. (1.27mm) pitch ribbon cable. Supplied complete with strain relief bracket. Industry no. 57-30360F. Suitable cable shown on page 173.



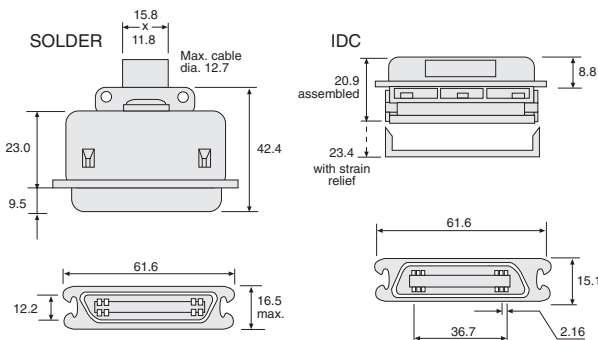
Type

36 way

Manf. Part No. & anglia Order Code

TC36MIC

Dimensions (mm)

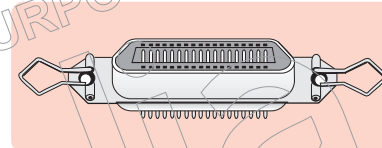


SOCKETS

Choice of mounting position with contacts gold over nickel plated.

PCB Mounting (Straight)

Available with or without spring clips for plug retention. Industry nos. 57-20360P (without clips), 57-40360P (with clips).



Type

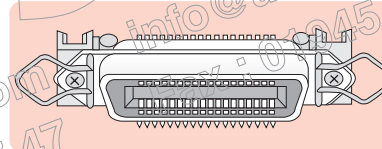
36 way - without clips
with clips

Manf. Part No. & anglia Order Code

TC36FPS
TC36FPS/1

PCB Mounting (Right angle)

Supplied with spring clips for plug retention. Industry no. 57LE-40360.



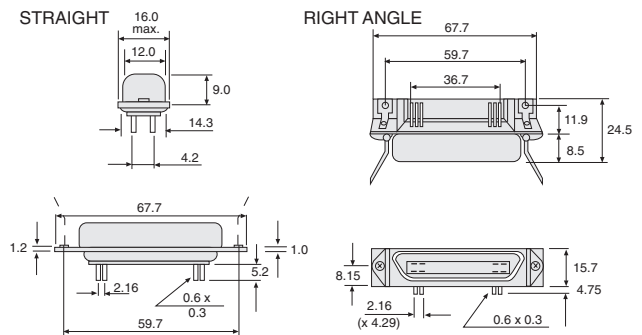
Type

36 way

Manf. Part No. & anglia Order Code

TC36FPR

Dimensions (mm)



CABLE ASSEMBLY SERVICE
 available on this range
 Refer to page 189