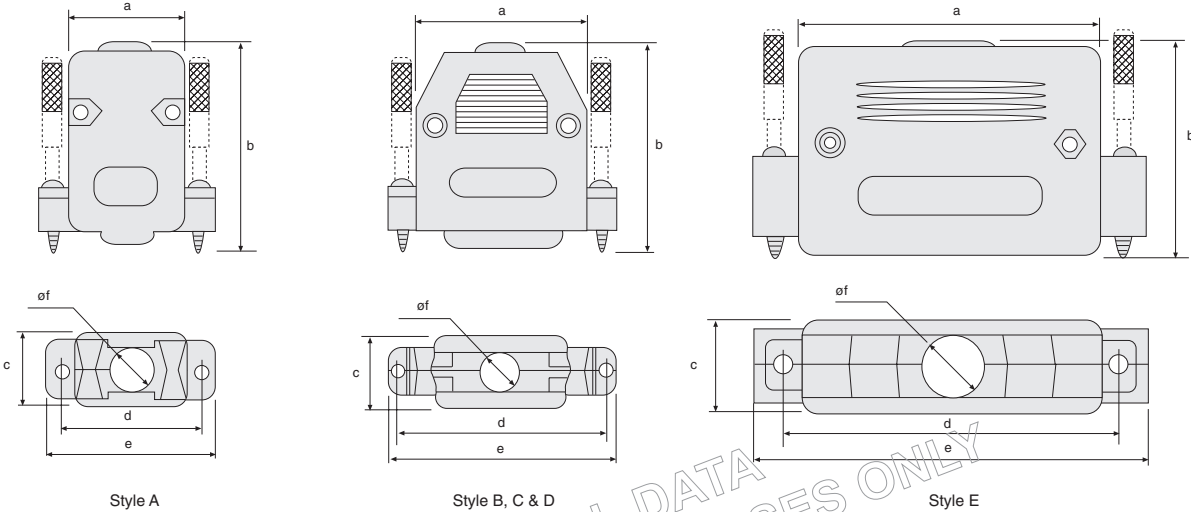


TAICOM type TDH

Two part, top entry plastic hoods moulded in grey ABS suitable for use with the commercial, industrial and high density 'D' sub-miniature connectors. Supplied complete with cable clamp and hardware with option of short or long (thumb) screws. Also available with metallised finish (chrome over nickel plated), for EMI/RFI shielding, and supplied with short screws only.



PLASTIC | **METALLISED**

Choice of short or long (thumb) screws.

Chrome over nickel plated. Short screws only.

Connector Range Commercial & Industrial	High Density	Hood Style	Manf. Part No. & anglia Order Code		Connector Range Commercial & Industrial	High Density	Hood Style	Manf. Part No. & anglia Order Code
			Short Screws	Long Screws				
9 way	15 way	A	TDH09P	TDH09PT	9 way	15 way	A	TDH09MP
15 way	26 way	B	TDH15P	TDH15PT	15 way	26 way	B	TDH15MP
25 way	44 way	C	TDH25P	TDH25PT	25 way	44 way	C	TDH25MP
37 way	-	D	TDH37P	TDH37PT	37 way	-	D	TDH37MP
50 way	-	E	TDH50P	TDH50PT	50 way	-	E	TDH50MP

Dimensions (mm)

Style	a	b	c	d	e	f
A	20.1	41.0	16.0	25.0	30.9	6.7
B	27.6	37.3	17.8	33.3	39.6	10.0
C	40.8	44.0	16.8	47.0	55.0	10.4
D	57.9	52.8	25.2	63.5	69.4	13.9
E	54.3	46.0	20.4	61.1	69.5	14.0

TAICOM

For the very latest information and news on the full range of TAICOM products available from Anglia, visit our website :
www.anglia.com/taicom

Alternatively, contact our Sales Desk to discuss your specific requirements.