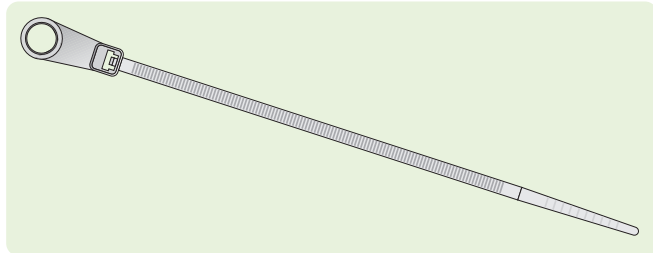


SCREW MOUNT

Employing the same material as the standard ties shown on the previous page, they incorporate a screw mounting hole for securing the ties into position. Offered with a choice of colour in various sizes.

- ◆ Screw mounting for secure fixing
- ◆ Flame retardant Nylon
- ◆ Non-releasable
- ◆ Choice of colour & size



Specification

Refer to standard ties on page 31.

Natural Colour

Size (mm) L x W	Minimum Tensile Strength (kg)	Maximum Bundle Dia. (mm)	Mounting Hole Dia. (mm)	Manf. Part No.	anglia Order Code
100 x 2.5	8	25	3.1	01C100A	669031
155 x 3.7	18	40	4.8	01C155A	669032
205 x 4.2	23	60	4.8	01C205A	669033
370 x 4.8	23	102	4.8	01C370A	669034

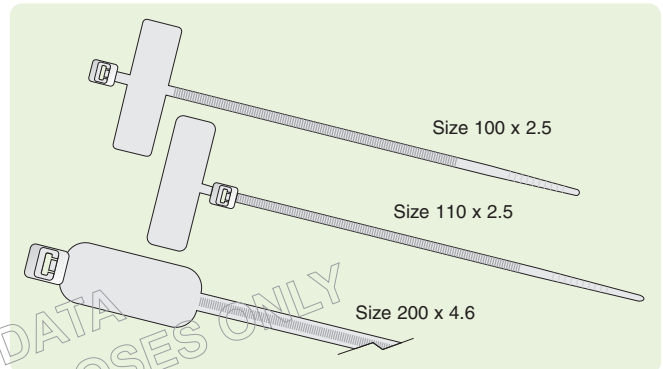
Black

Size (mm) L x W	Minimum Tensile Strength (kg)	Maximum Bundle Dia. (mm)	Mounting Hole Dia. (mm)	Manf. Part No.	anglia Order Code
100 x 2.5	8	25	3.1	01C100B	669131
155 x 3.7	18	40	4.8	01C155B	669132
205 x 4.2	23	60	4.8	01C205B	669133
370 x 4.8	23	102	4.8	01C370B	669134

MARKER TAG

Employing the same material as the standard ties shown on the previous page, they incorporate a marker tag for identification purposes. Offered in natural colour with choice of size/shape.

- ◆ Integral marker tag
- ◆ Flame retardant Nylon
- ◆ Non-releasable
- ◆ Choice of size/shape
- ◆ Colour Natural



Specification

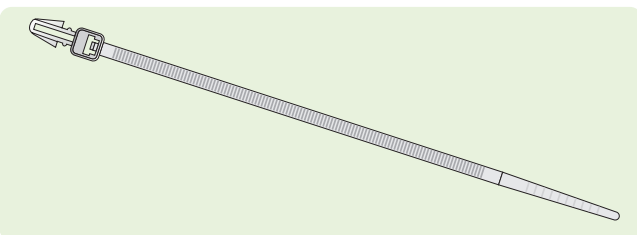
Refer to standard ties on page 31.

Natural Colour

Size (mm) L x W	Minimum Tensile Strength (kg)	Maximum Bundle Dia. (mm)	Marking Pad Size (mm)	Manf. Part No.	anglia Order Code
100 x 2.5	8	25	25 x 8	01D100A	669041
110 x 2.5	8	25	25 x 8	01D110A	669042
200 x 4.6	22	50	28 x 13	01D200A	669043

PUSH-FIT

A range of push-fit cable ties that can be mounted into the panel via a pre-drilled hole. Particularly useful in applications where the surface finish does not allow self-adhesive bases to be used or where a fast fitting time is required. Ties are self-locking, non-releasable and moulded from the same material as the standard ties shown on the previous page.



Specification

Refer to standard ties on page 31.

- ◆ Push-fit mounting
- ◆ Flame retardant Nylon
- ◆ Non-releasable
- ◆ Extremely strong
- ◆ Choice of size
- ◆ Colour Natural

Natural Colour



Size (mm) L x W	Minimum Tensile Strength (kg)	Maximum Bundle Dia. (mm)	Mounting Hole Dia. (mm)	Manf. Part No.	anglia Order Code
130 x 4.8	22	30	4.8	01F130A	669051
155 x 3.5	18	40	4.8	01F155A	669052
203 x 4.8	22	50	4.8	01F203A	669053