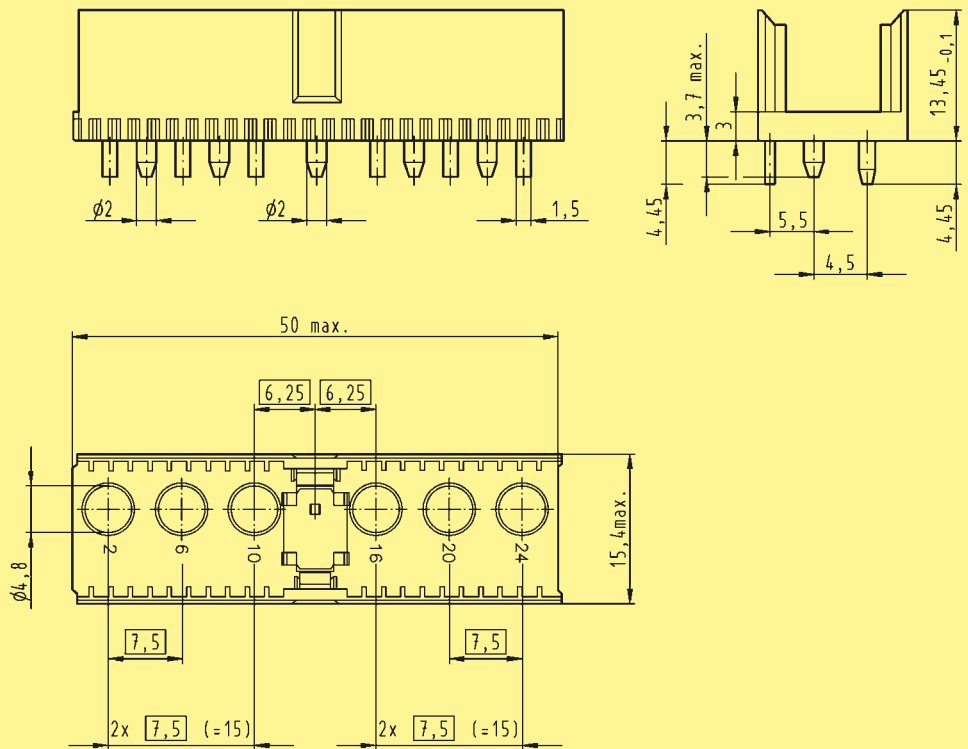
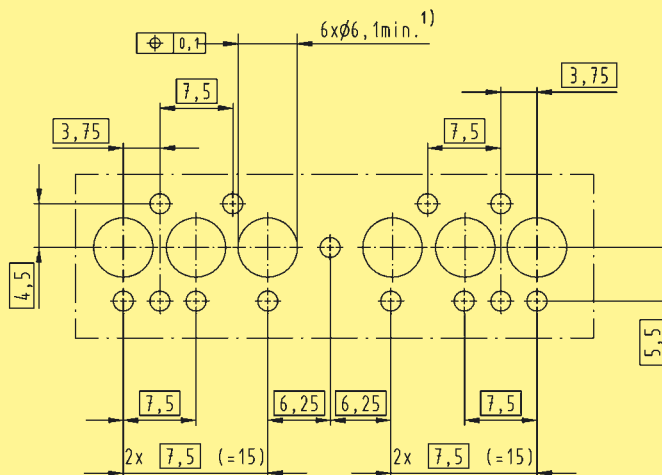


Male connector

Identification	Number of contacts	Contact length [mm] mating side	termination side	Part number	Contact configuration
Type L	max. 6*			17 16 000 0001	



Board drillings



Dimensions [mm]

* Order special contacts separately, see chapter 09.

¹⁾ Non-metallized drillings